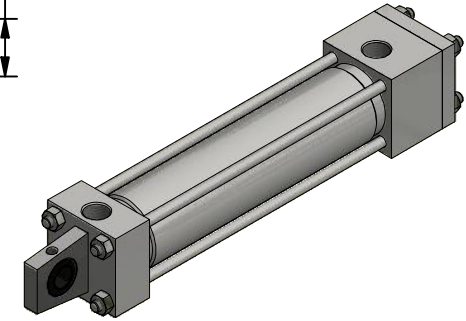
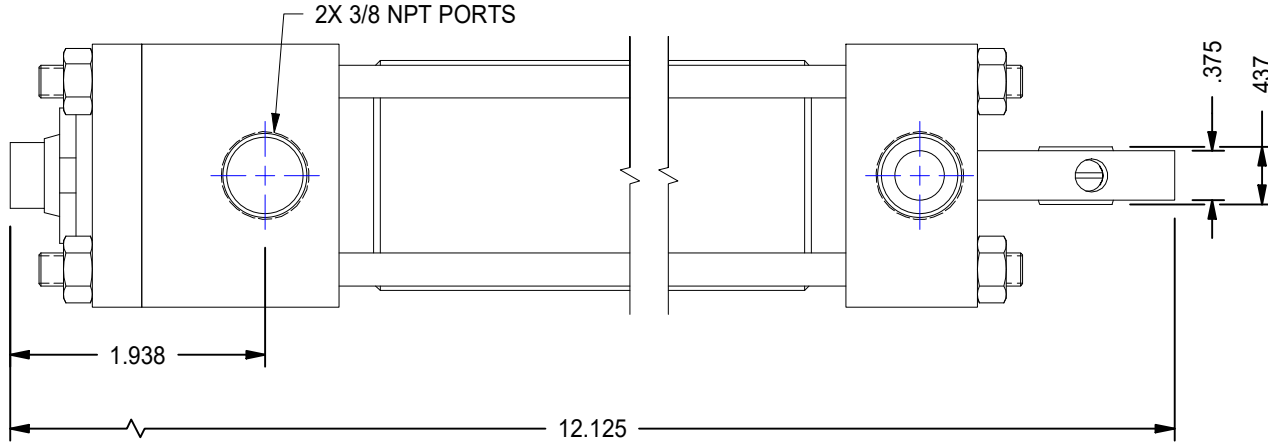


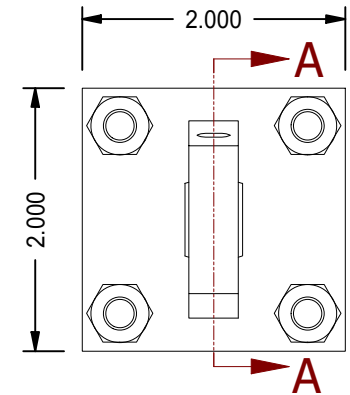
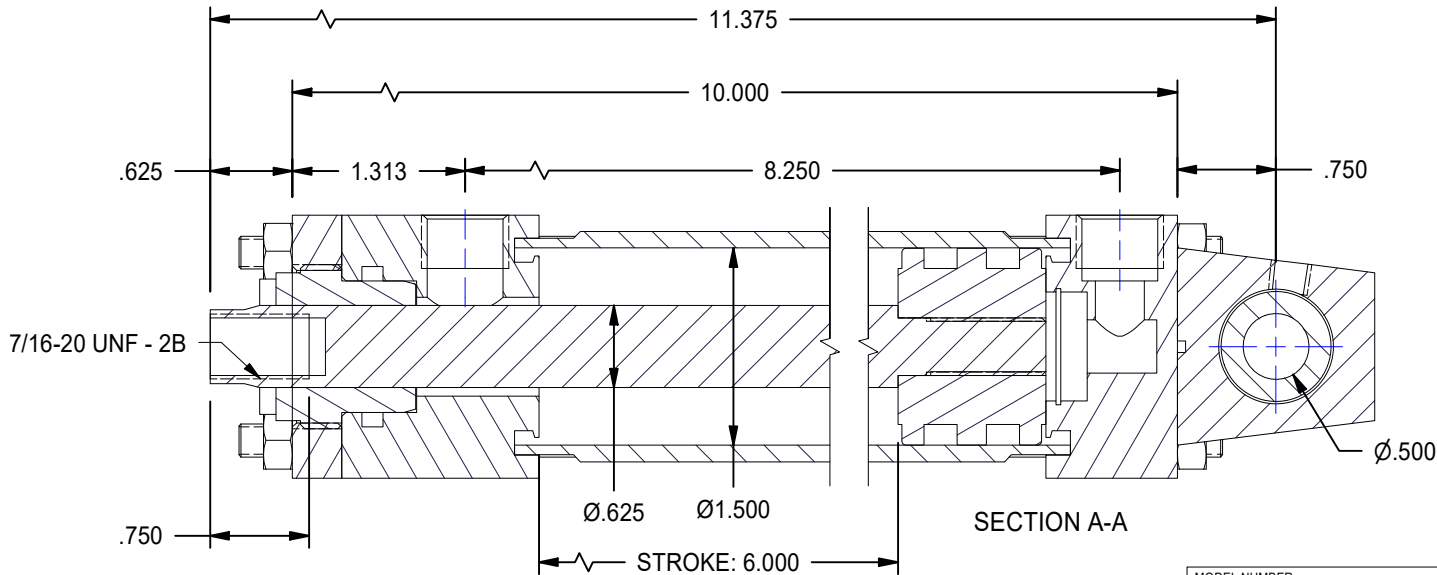
1

2




A

A



B

B

| | | | | | |
|---|---------------|------------------------|--|-----------------------------------|------------------|
| MODEL NUMBER: | | PROJECT/CUSTOMER INFO: | | DSGND: | DATE: 2013-03-07 |
|  TITAN WORLDWIDE INC. <small>31 Year ISO 9001</small> <small>Clear that all products are made in Canada. One that stands out for greatness in achievement!</small> <small>PHONE: 807-474-5337 FAX: 807-623-5692 EMAIL: info@titanworldwide.com WEB: www.titanworldwide.com</small> | | CAPACITY: 3000 PSI | | FILENAME: TRP1.50MP5LU14X6.00.idw | |
| | | WEIGHT: 5.718 lbmass | | TITLE: TRP1.50MP5LU14X6.00 | |
| SHEET SIZE: A | SHEET: 1 OF 1 | DRAWING No: | | REVISION: | |

1

2

| DATE | INTL | DESCRIPTION | REV |
|------|------|-------------|-----|
| | | | |

1