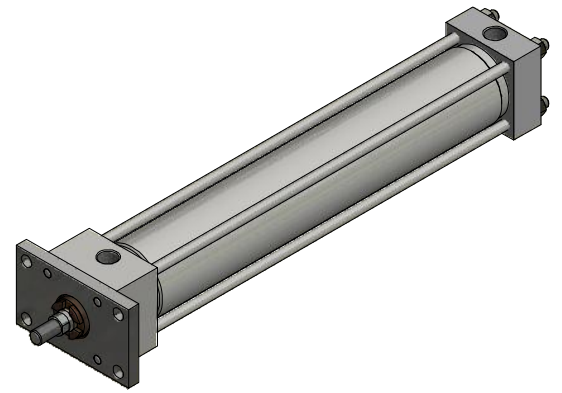
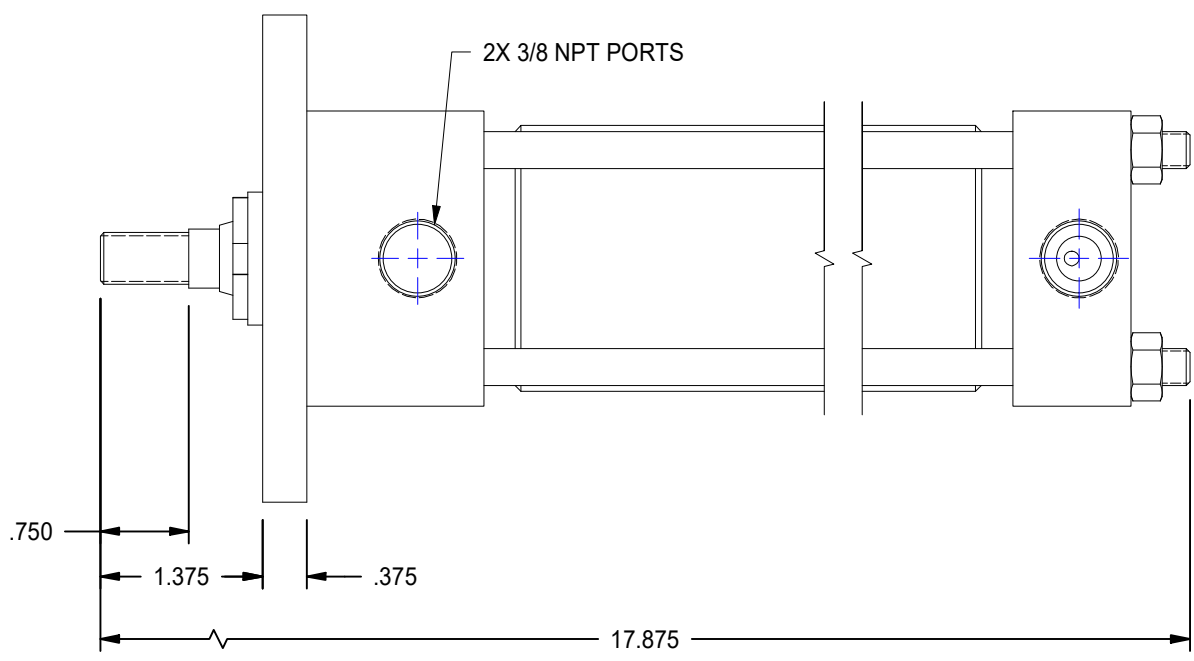


1

2

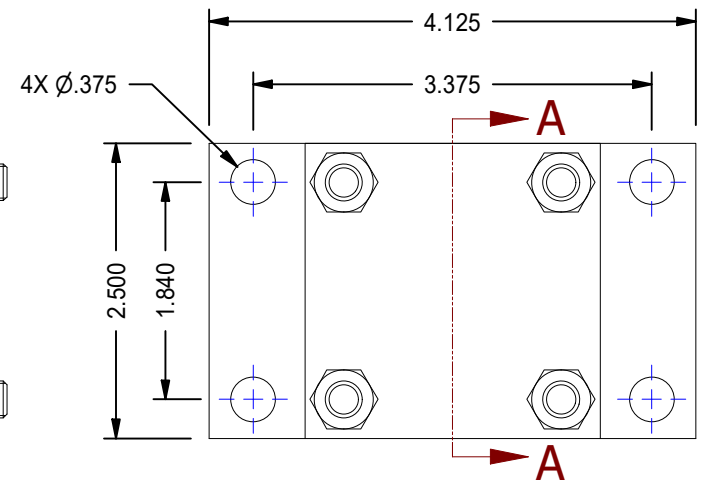
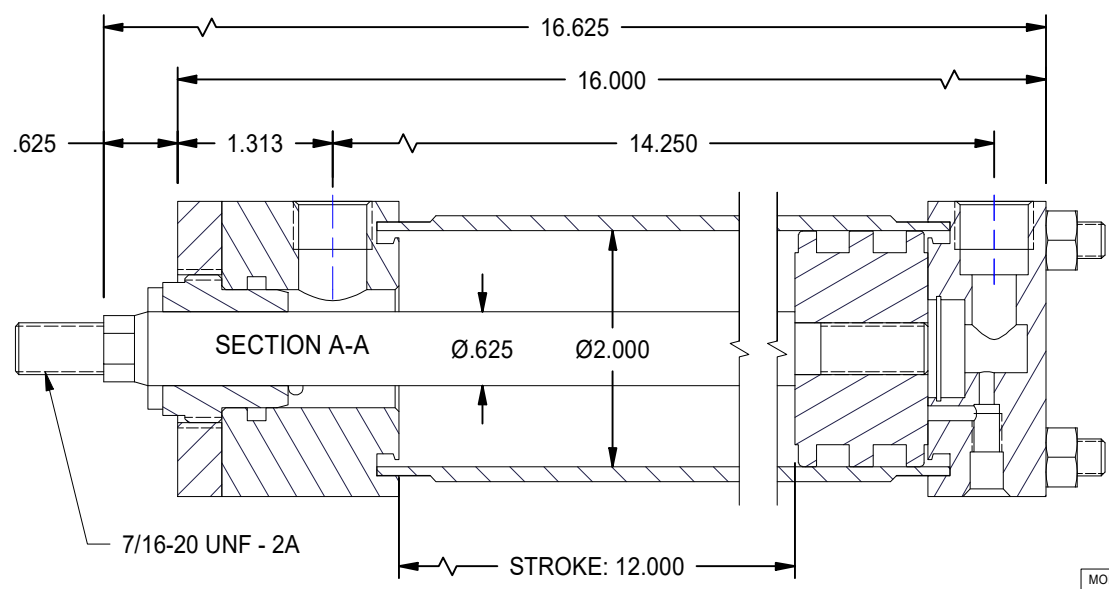
A

A



B

B




1

2



DATE	INTL	DESCRIPTION	REV

MODEL NUMBER:		PROJECT/CUSTOMER INFO:		DSGND:	DATE: 2013-03-07
 TITAN WORLDWIDE INC. <small>31 Year ISO 9001</small> <small>Clear title or graphic in case of power. One that stands out for greatest of effectiveness!</small> <small>PHONE: 807-474-5337 FAX: 807-623-5692 EMAIL: info@stanworldwide.com WEB: www.stanworldwide.com</small>		CAPACITY: 3000 PSI		WEIGHT: 11.071 lbmass	
		SHEET: A SHEET: 1 OF 1 FILENAME: TRP2.00MF1LU14X12.00.idw		TITLE: TRP2.00MF1LU14X12.00	
701 MONTREAL STREET THUNDER BAY, ON P7E 3P-2 CANADA TEL: 807-474-5337 FAX: 807-623-5692 www.stanworldwide.com				DRAWING No:	
				REVISION:	