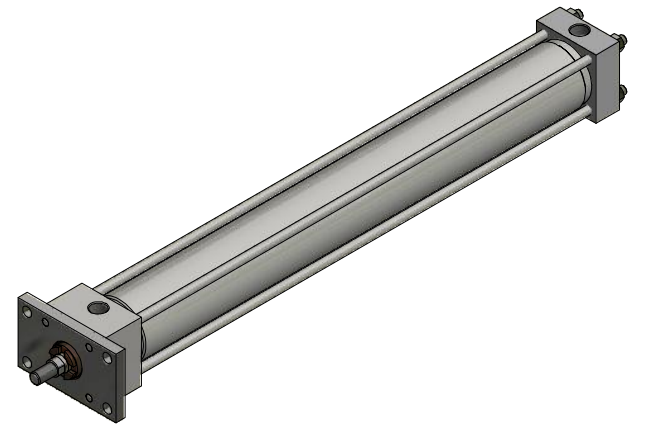
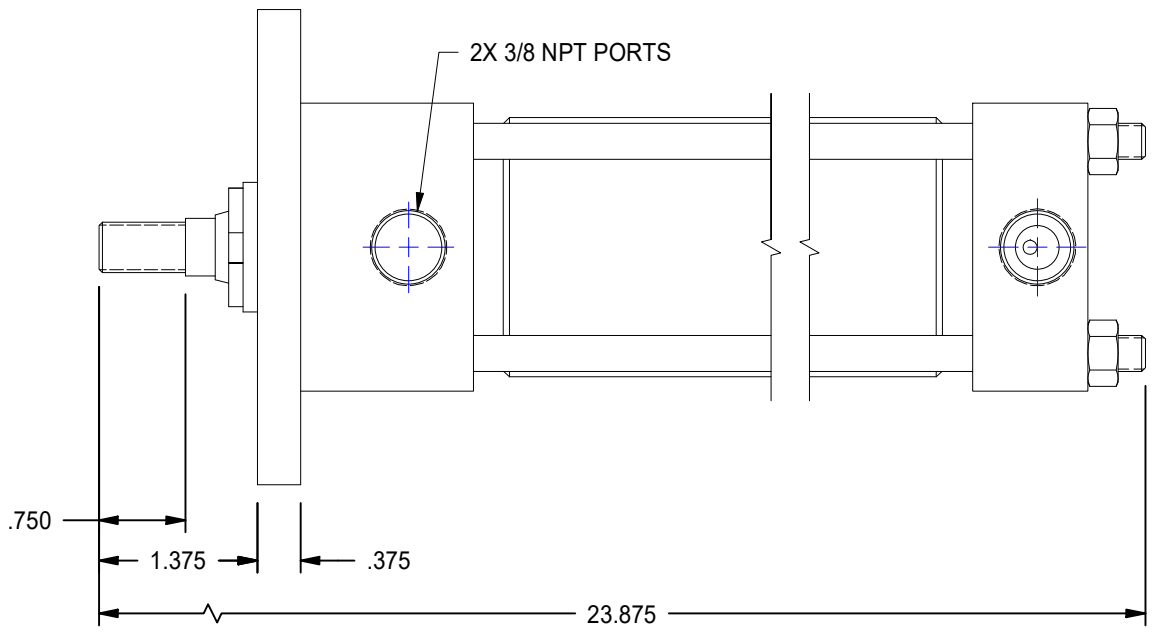


1

2

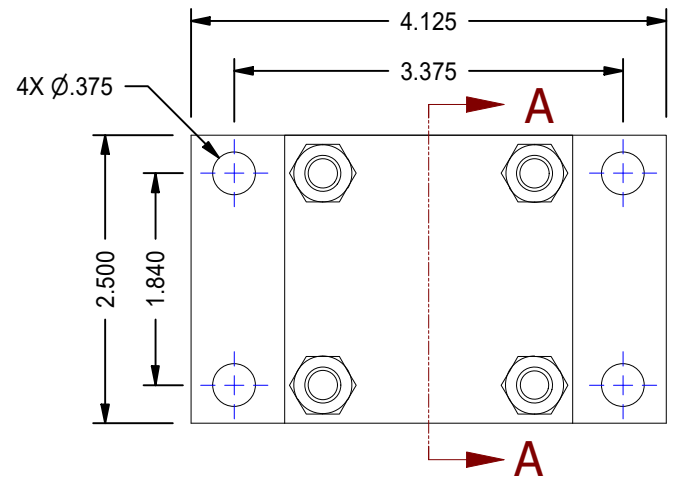
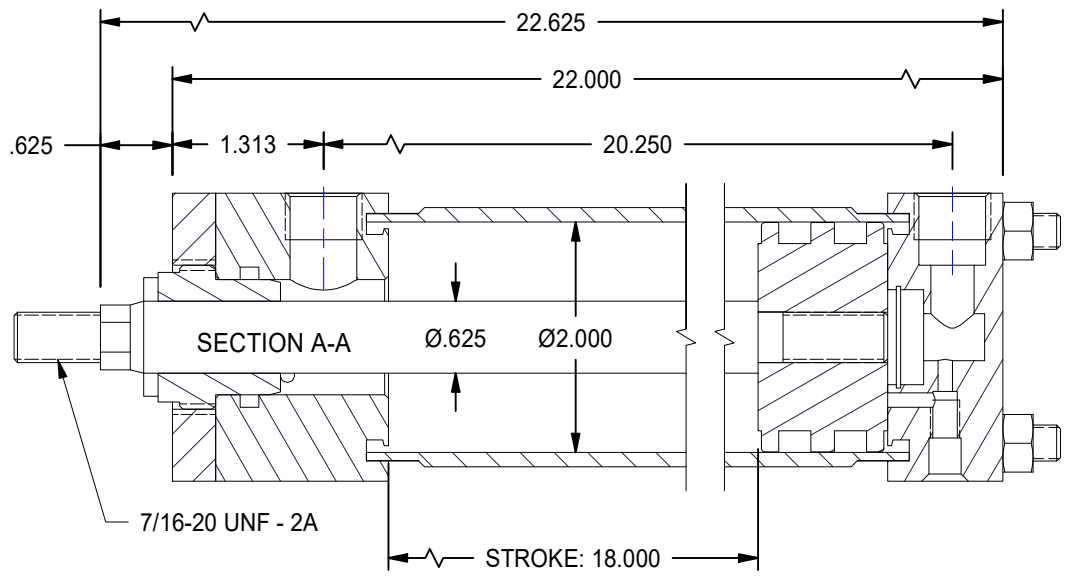
A


A



B

B



MODEL NUMBER:		PROJECT/CUSTOMER INFO:		DSGND:	DATE: 2013-03-07
 TITAN WORLDWIDE INC. <small>31 Year ISO 9001</small> <small>Clear title all graphics in case of power. One that stands out for greatest of effectiveness</small>		CAPACITY		3000 PSI	
		WEIGHT:		13.551 lbmass	
SHEET SIZE: A	SHEET: 1 OF 1	FILENAME:	TRP2.00MF1LU14X18.00.idw		
TITLE: TRP2.00MF1LU14X18.00					
DRAWING No:					REVISION:

1

2

DATE	INTL	DESCRIPTION	REV