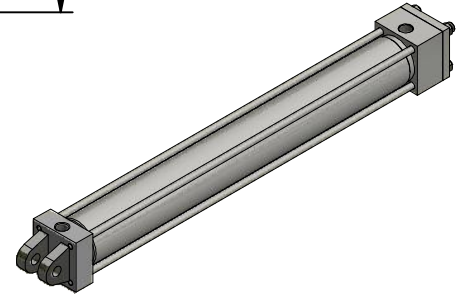
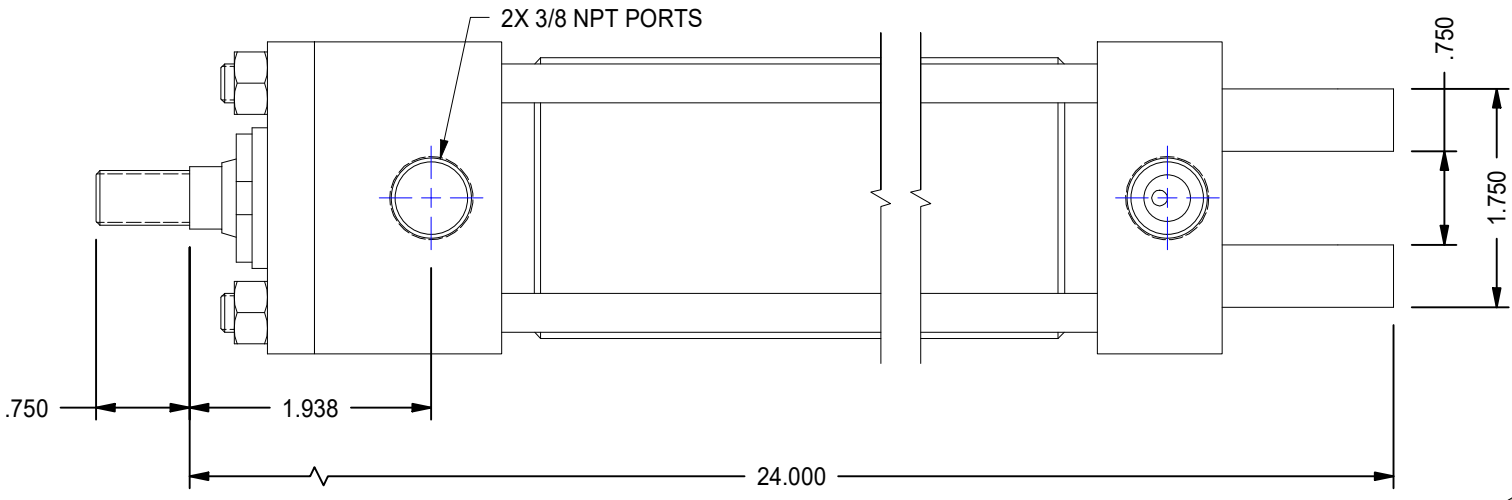


1

2

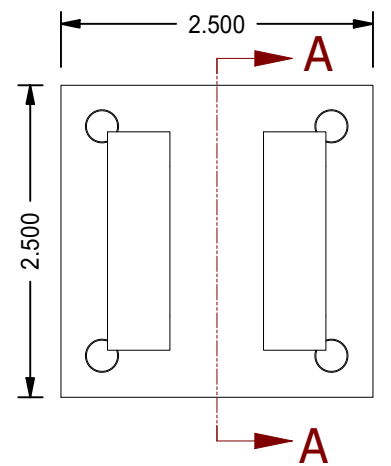
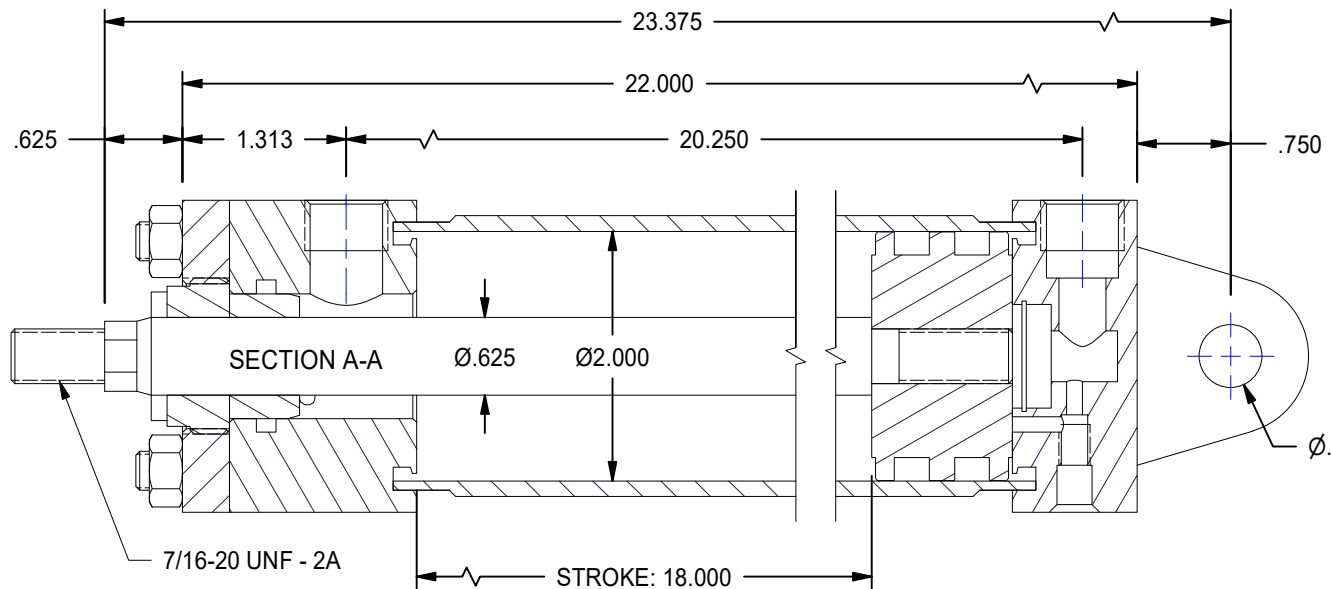
A


A



B

B



| | | | | | |
|---|--|---|--|-----------------------------|------------------|
| MODEL NUMBER: | | PROJECT/CUSTOMER INFO: | | DSGND: | DATE: 2013-03-07 |
|  TITAN WORLDWIDE INC. <small>31 Van Stels Clear Fall or liquid, in case of power. One that stands out for greatness of achievement</small> | | CAPACITY: 3000 PSI | | WEIGHT: 6.171 kg | |
| | | SHEET: A SHEET: 1 OF 1 FILENAME: TRP2.00MP1LU14X18.00.idw | | TITLE: TRP2.00MP1LU14X18.00 | |
| 701 MONTREAL STREET THUNDER BAY, ON P7E 3P-2 CANADA TEL: 807-474-5337 FAX: 807-423-5692 www.titanworldwide.com | | | | DRAWING No: | |
| | | | | REVISION: | |

1

2

| DATE | INTL | DESCRIPTION | REV |
|------|------|-------------|-----|
| | | | |