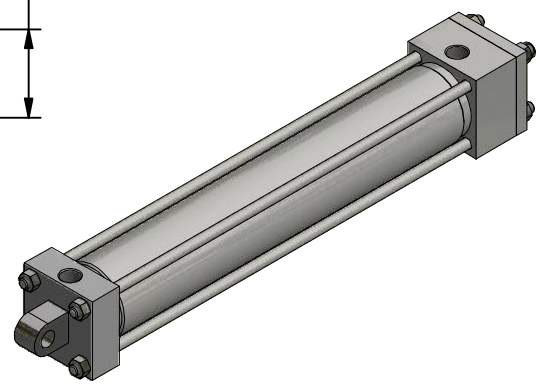
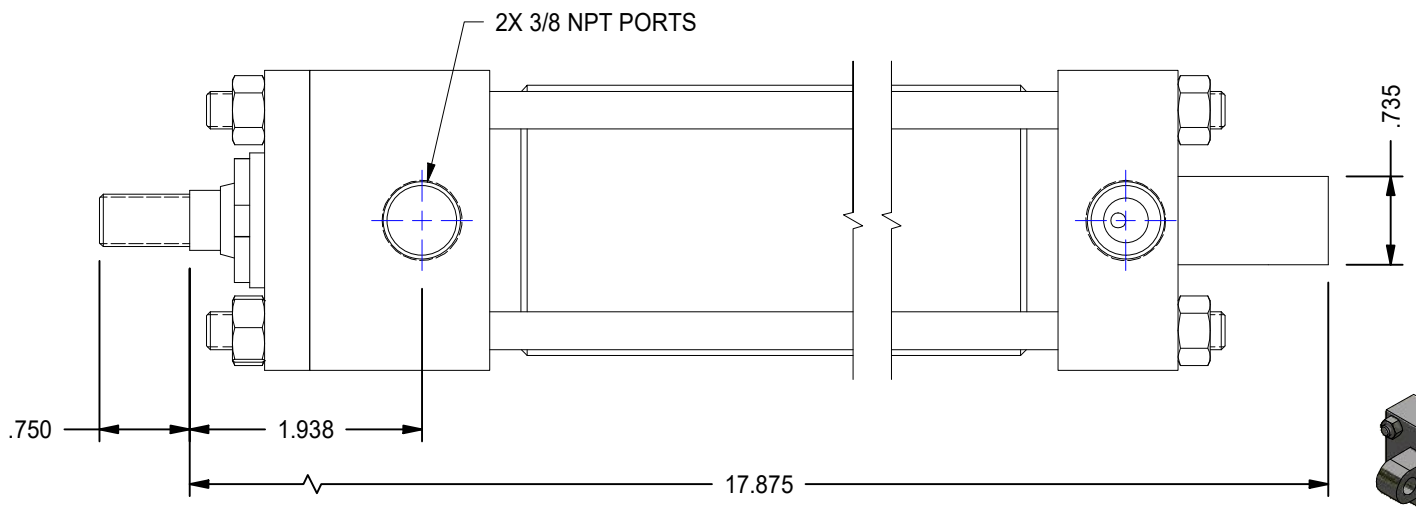


1

2

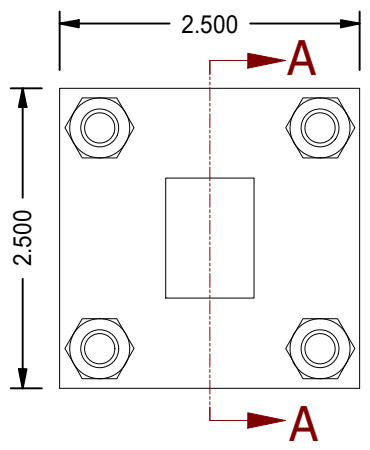
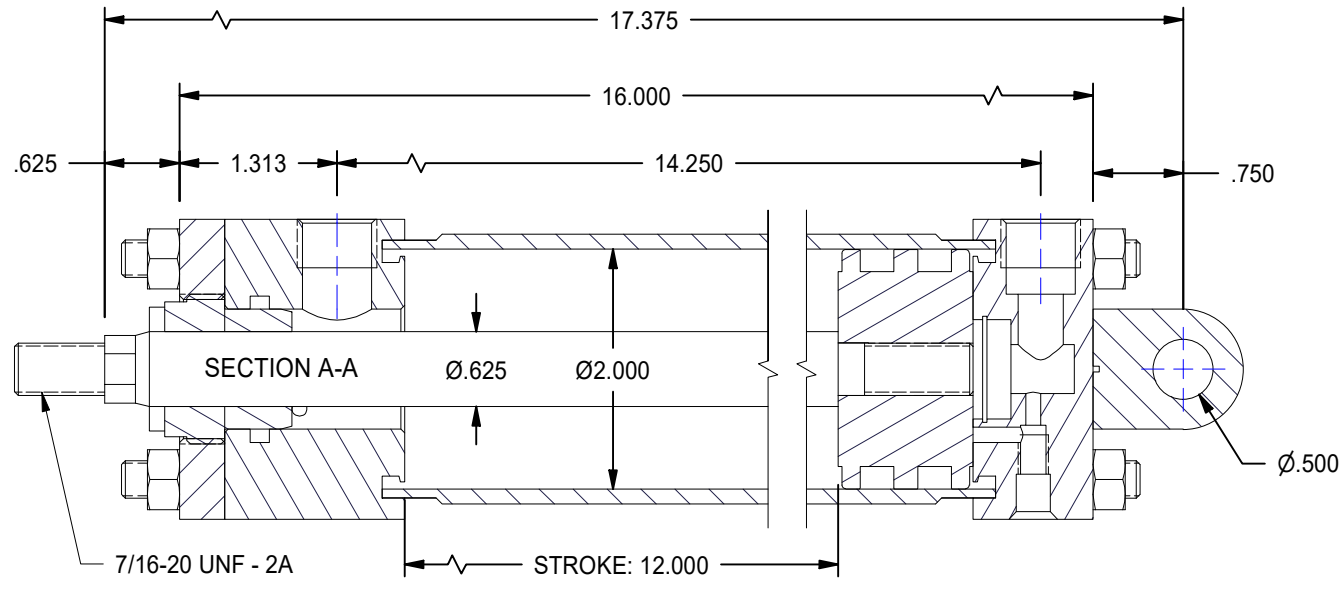
A

A



B

B




B

B

1

2

DATE	INTL	DESCRIPTION	REV

MODEL NUMBER:		PROJECT/CUSTOMER INFO:		DSGND:	DATE: 2013-03-07
 TITAN WORLDWIDE INC. <small>31 Year ISO 9001 Clear Fall or liquid in case of power. One that stands out for greatness of achievement!</small>		CAPACITY: 250 PSI		WEIGHT: 10.969 lbmass	
		SHEET SIZE: A SHEET: 1 OF 1 FILENAME: TRP2.00MP3LU14X12.00.idw		TITLE: TRP2.00MP3LU14X12.00	
701 MONTREAL STREET THUNDER BAY, ON P7E 3P-2 CANADA TEL: 807-474-5337 FAX: 807-423-5692 www.titanworldwide.com				DRAWING No:	
					REVISION: