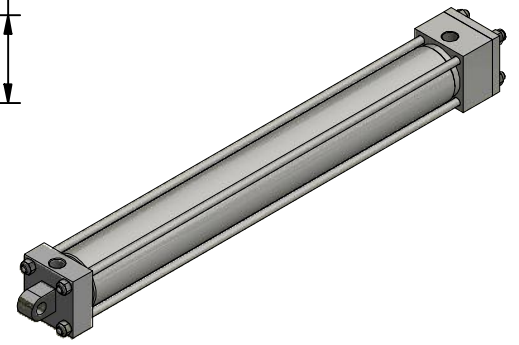
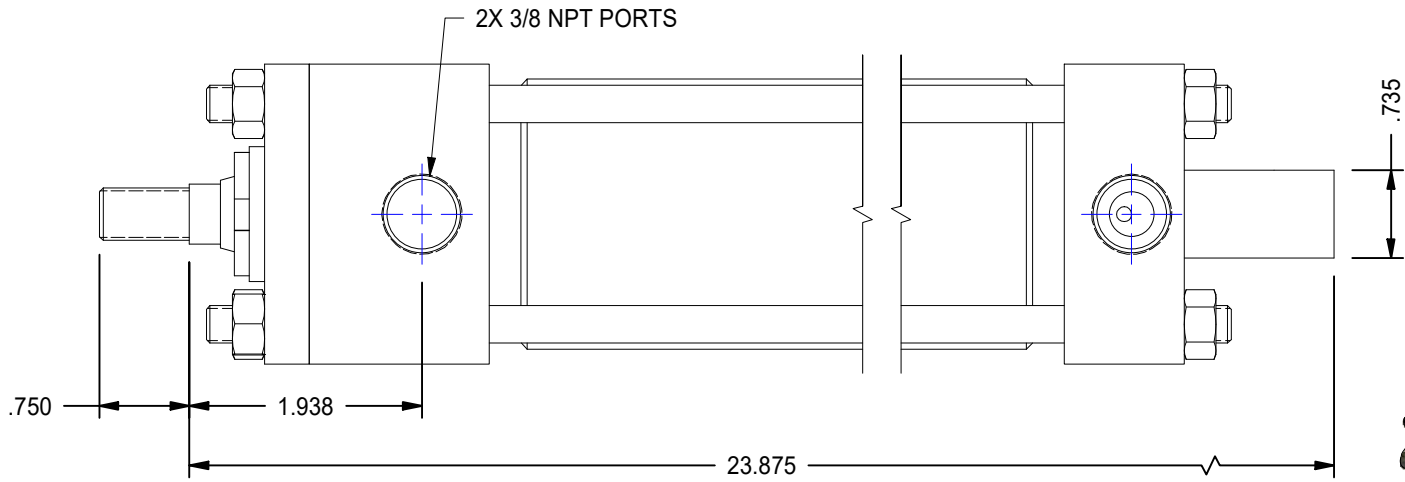


1

2

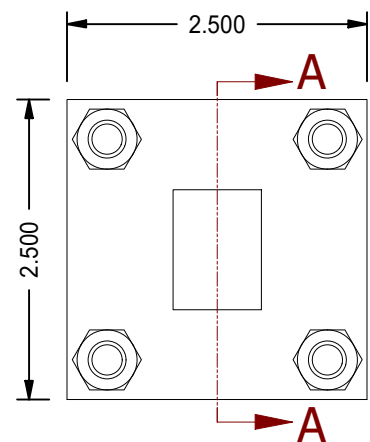
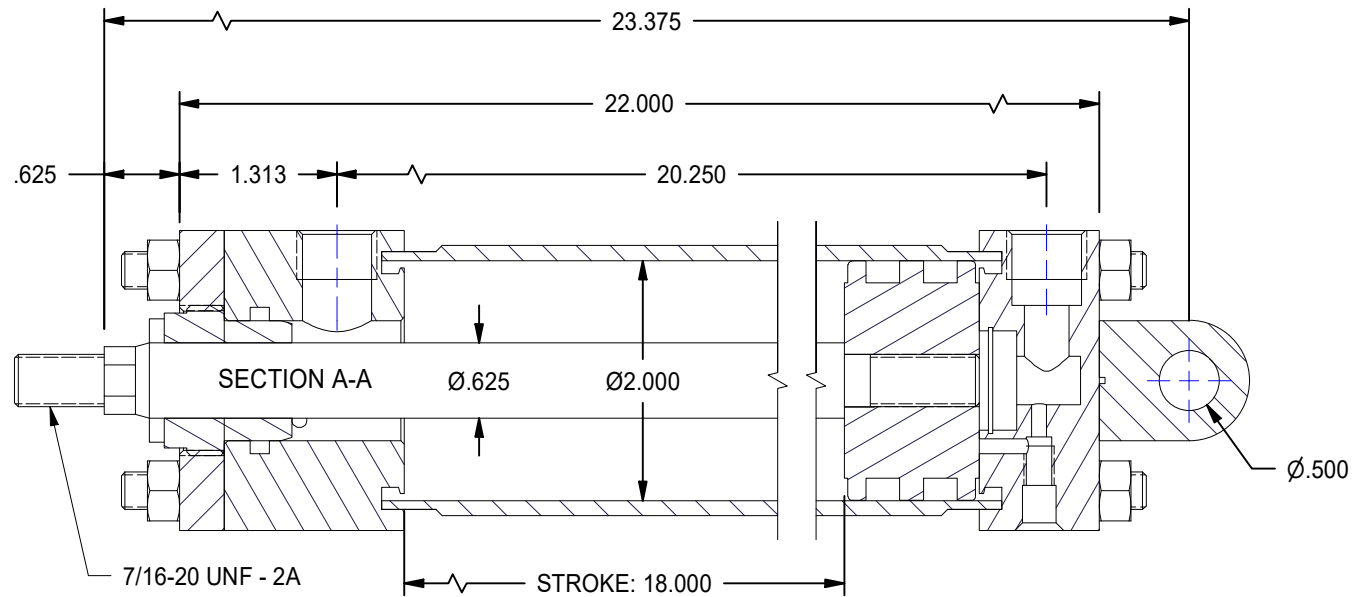
A

A



B

B




B

B

1

2

DATE	INTL	DESCRIPTION	REV

<b>MODEL NUMBER:</b>  <b>TITAN WORLDWIDE INC.</b> <small>31 Sun Blvd.        Clear Lake, CA 94631        Clear Lake is a registered trademark of Titan Worldwide Inc.</small>		<b>PROJECT/CUSTOMER INFO:</b> DSGND:      DATE: 2013-03-07 CAPACITY: 250 PSI WEIGHT: 13.448 lbmass	
SHEET: A SIZE:	SHEET: 1 OF 1	FILENAME: TRP2.00MP3LU14X18.00.idw	TITLE: TRP2.00MP3LU14X18.00
DRAWING No:			REVISION:

701 MONTREAL STREET  
 THUNDER BAY, ON  
 P7E 3P-2  
 CANADA  
 TEL: 807-474-5337  
 FAX: 807-623-5692  
 www.titanworldwide.com