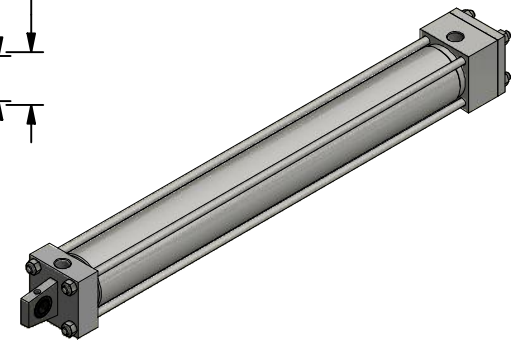
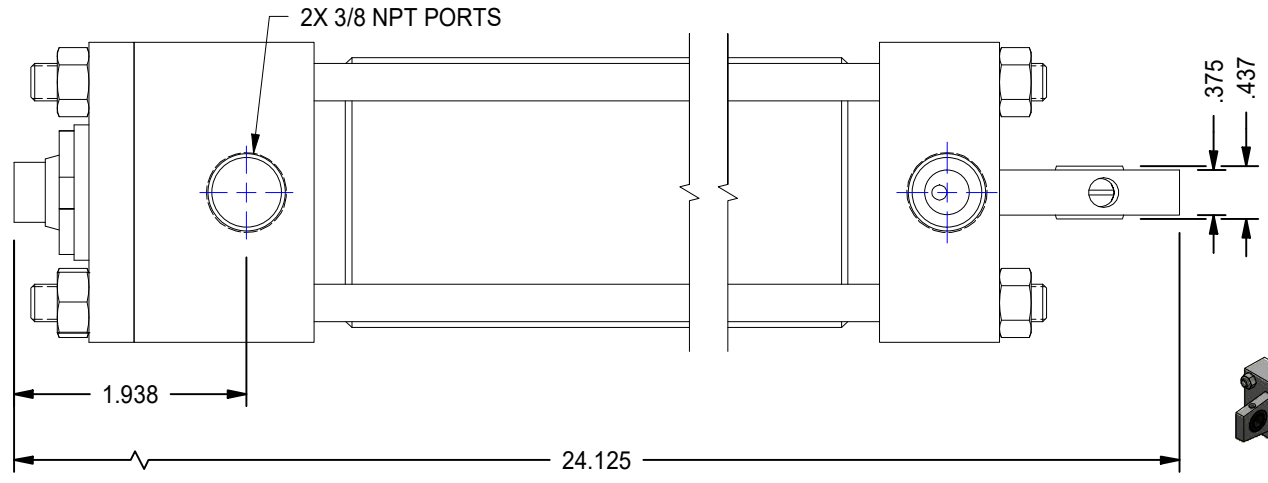


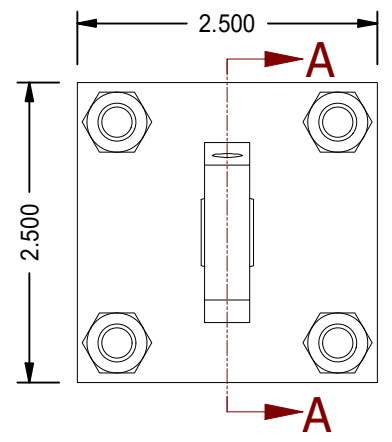
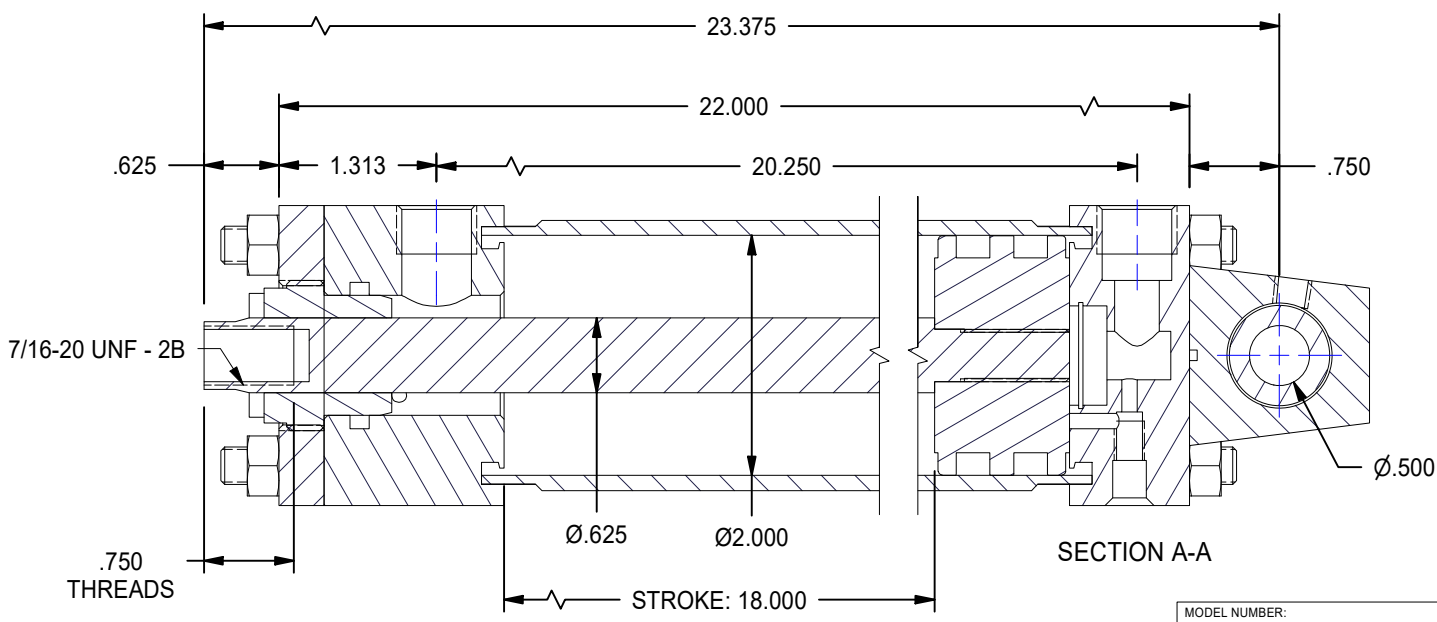
1

2



A

A




B

B

1

2

DATE	INTL	DESCRIPTION	REV

MODEL NUMBER:		PROJECT/CUSTOMER INFO:		DSGND:	DATE: 2013-03-07
 TITAN WORLDWIDE INC. <small>31 Sun Blvd. Clear Lake or Republic, in state or power. One that stands out for greatness of achievement</small>		CAPACITY: 250 PSI		WEIGHT: 13.328 lbmass	
		SHEET: A		SHEET: 1 OF 1	FILENAME:
701 MONTREAL STREET THUNDER BAY, ON P7E 3P2 CANADA TEL: 807-474-5337 FAX: 807-423-5692 www.titanworldwide.com		TITLE: TRP2.00MP5LU14X18.00		DRAWING No:	
				REVISION:	