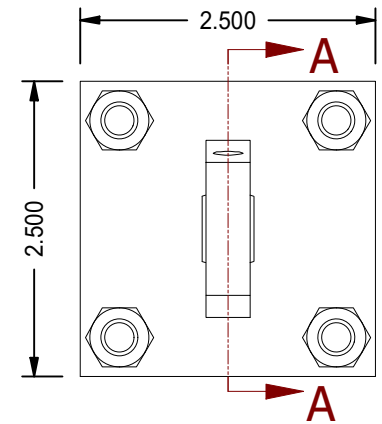
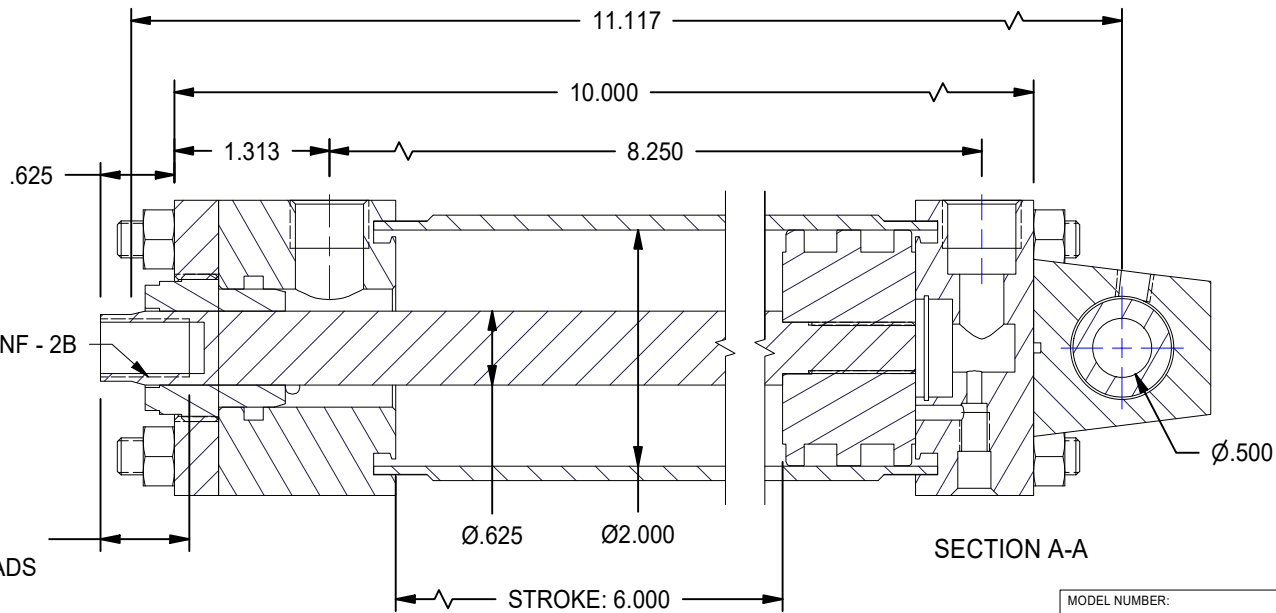
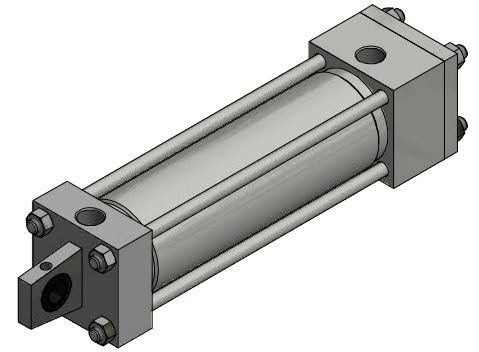
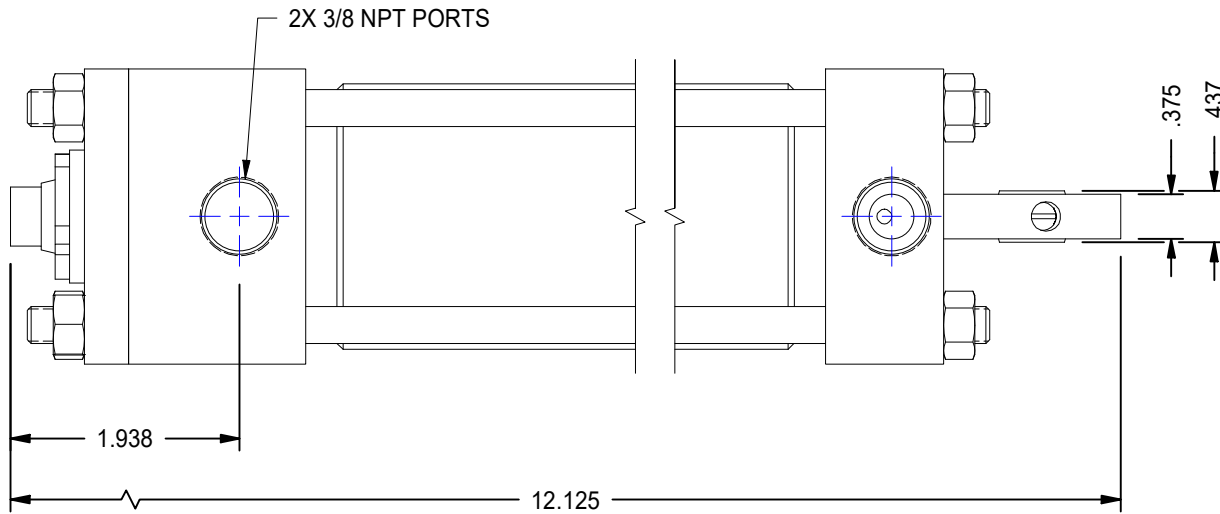



1

2



MODEL NUMBER:		PROJECT/CUSTOMER INFO:		DSGND:	DATE: 2013-03-07
 TITAN WORLDWIDE INC. <small>31 Year ISO 9001</small> <small>Clear that it applies to date of power. One that stands out for greatness of achievement!</small> <small>PHONE: 807-474-5337 FAX: 807-623-5692 EMAIL: info@titanworldwide.com WEB: www.titanworldwide.com</small>		CAPACITY: 250 PSI		SHEET SIZE: A SHEET: 1 OF 1 FILENAME: TRP2.00MP5LU14X6.00.idw	
		WEIGHT: 8.369 lbmass		TITLE: TRP2.00MP5LU14X6.00	
701 MONTREAL STREET THUNDER BAY, ON P7E 3P-2 CANADA TEL: 807-474-5337 FAX: 807-623-5692 www.titanworldwide.com				DRAWING No:	
					REVISION:

DATE	INTL	DESCRIPTION	REV

1

2