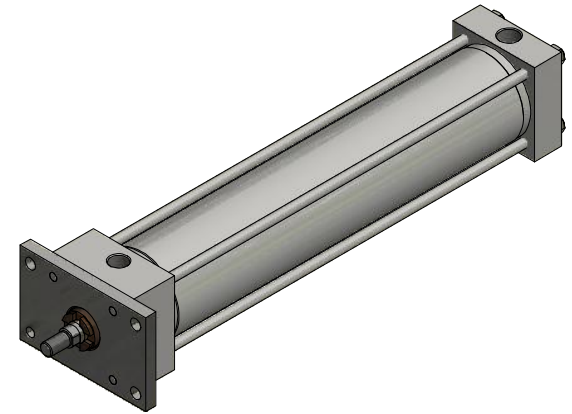
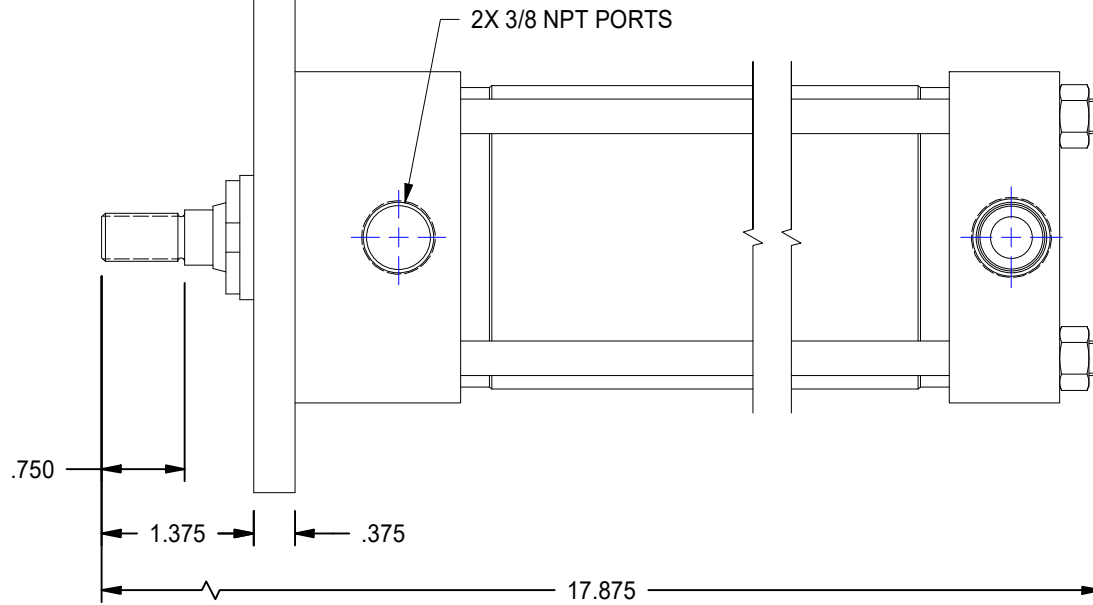


1

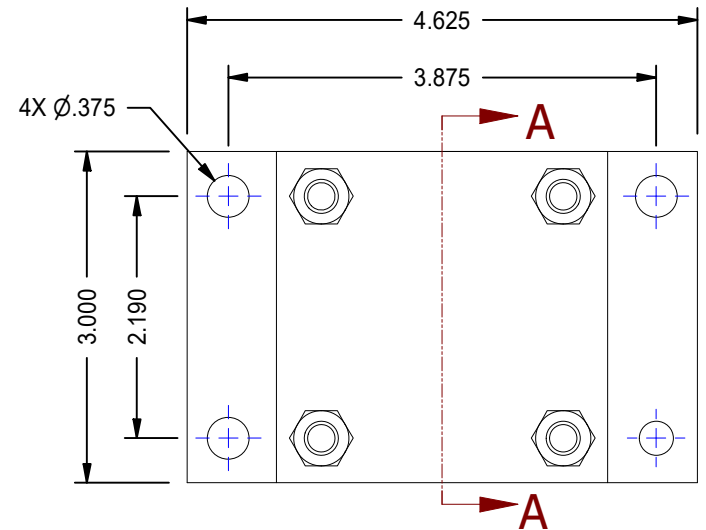
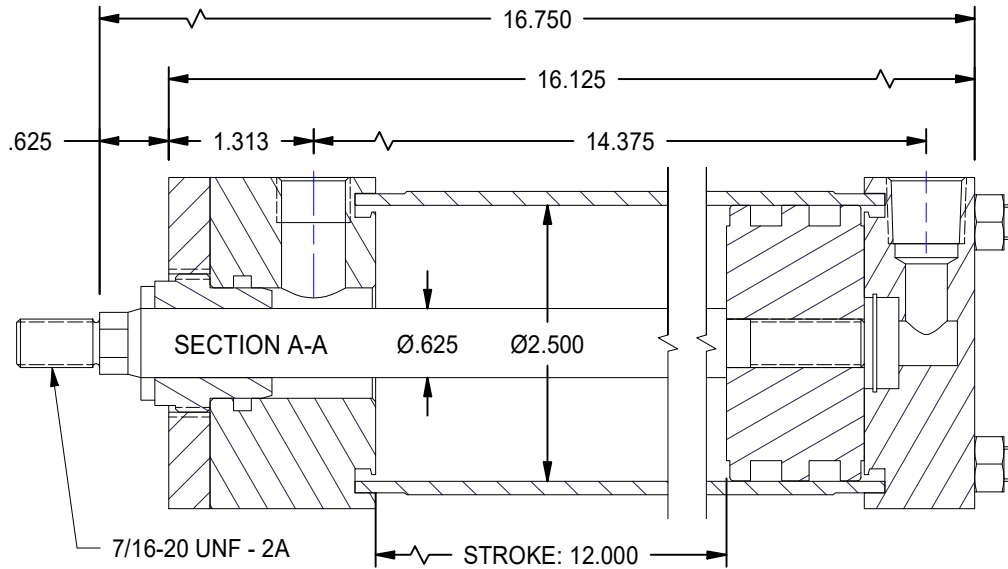


2

A




A



B

B

MODEL NUMBER:		PROJECT/CUSTOMER INFO:		DSGND:	DATE: 2013-03-07
 TITAN WORLDWIDE INC. <small>31 Year ISO 9001 Clear title or graphic in case of power. One that stands out for greatness of achievement!</small> PHONE: 807-474-5337 FAX: 807-623-5692 EMAIL: info@titanworldwide.com WEB: www.titanworldwide.com		CAPACITY: 3000 PSI		SHEET: A SHEET: 1 OF 1 FILENAME: TRP2.50MF1LU14X12.00.idw	
		WEIGHT: 14.794 lbmass		TITLE: TRP2.50MF1LU14X12.00	
701 MONTREAL STREET THUNDER BAY, ON P7E 3P-2 CANADA TEL: 807-474-5337 FAX: 807-623-5692 www.titanworldwide.com				DRAWING No:	
					REVISION:

1



2

DATE	INTL	DESCRIPTION	REV