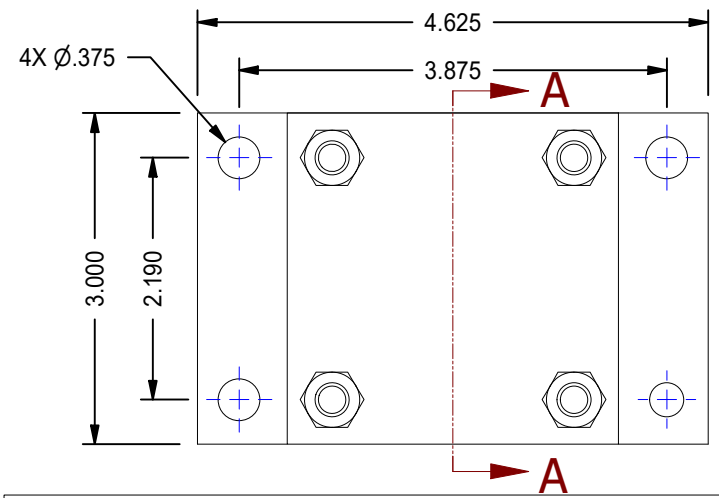
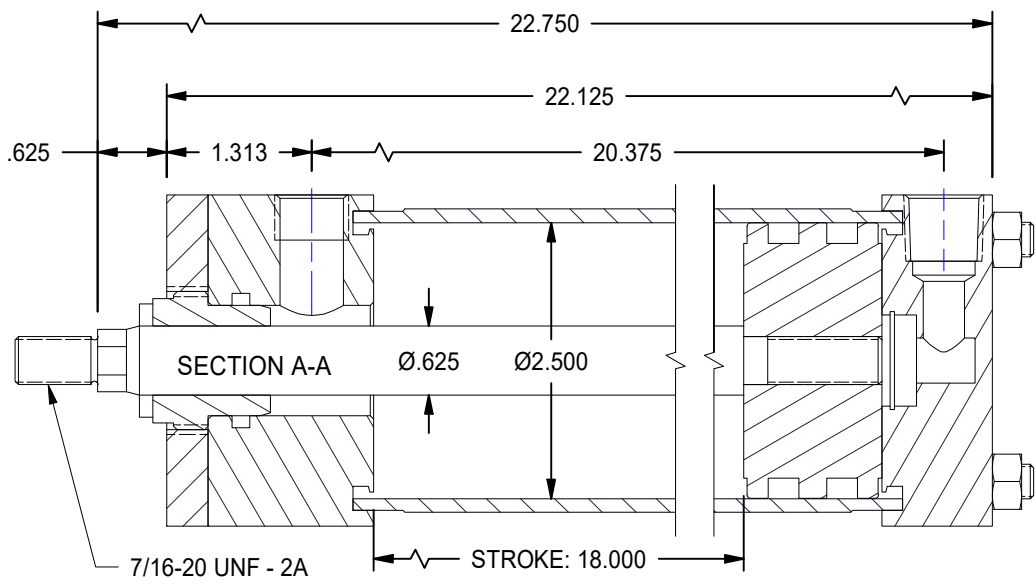
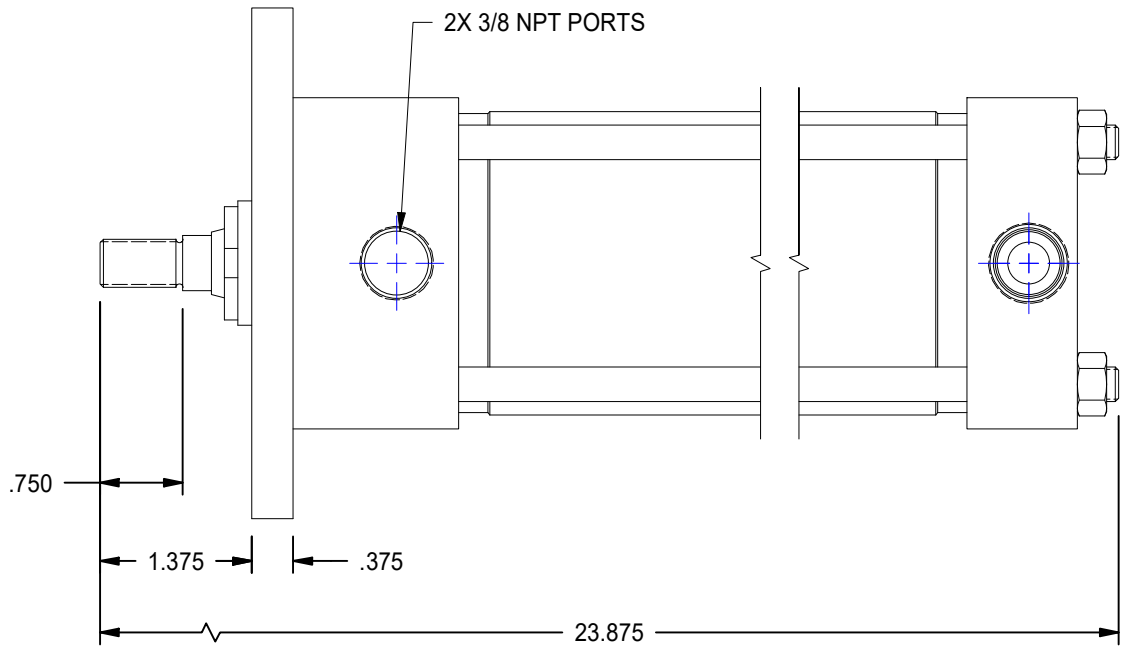


1

2

A

A




B

B

1

2



MODEL NUMBER:		PROJECT/CUSTOMER INFO:		DSGND:	DATE: 2013-03-07
 TITAN WORLDWIDE INC. <small>75 ton 5000 PSI Clear fluid or glycolic in case of power. One that stands out for greatness of achievement!</small> PHONE: 807-474-5337 FAX: 807-623-5692 EMAIL: info@titanworldwide.com WEB: www.titanworldwide.com		CAPACITY: 3000 PSI		FILENAME: TRP2.50MF1LU14X18.00.idw	
		WEIGHT: 17.608 lbmass		SHEET: A SHEET: 1 OF 1 TITLE: TRP2.50MF1LU14X18.00	
701 MONTREAL STREET THUNDER BAY, ON P7E 3P-2 CANADA TEL: 807-474-5337 FAX: 807-623-5692 www.titanworldwide.com				DRAWING No:	
					REVISION:

DATE	INTL	DESCRIPTION	REV