

1

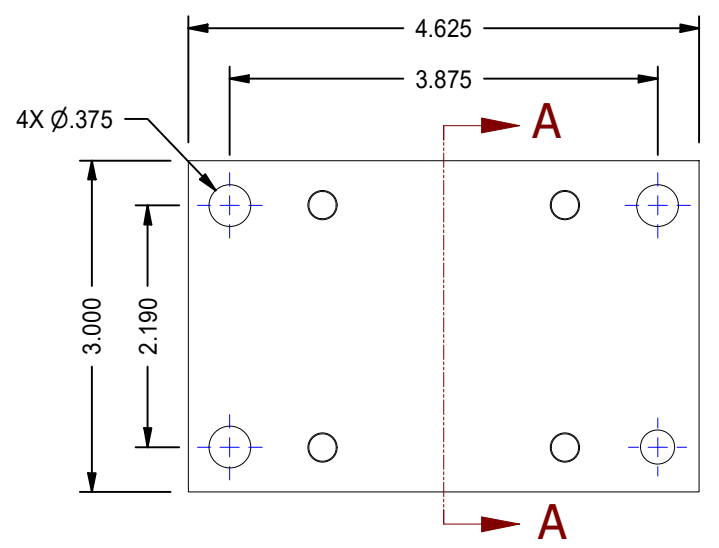
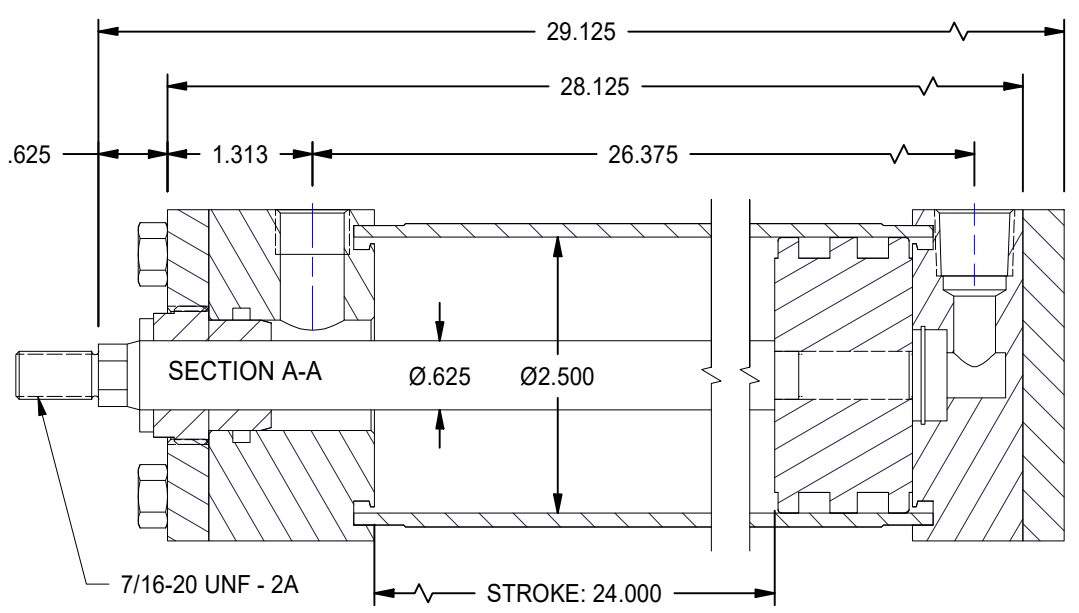
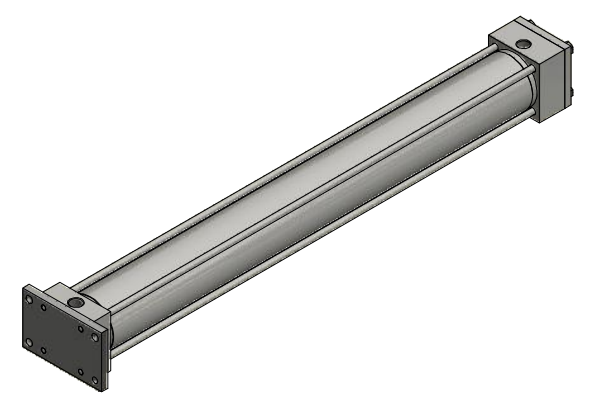
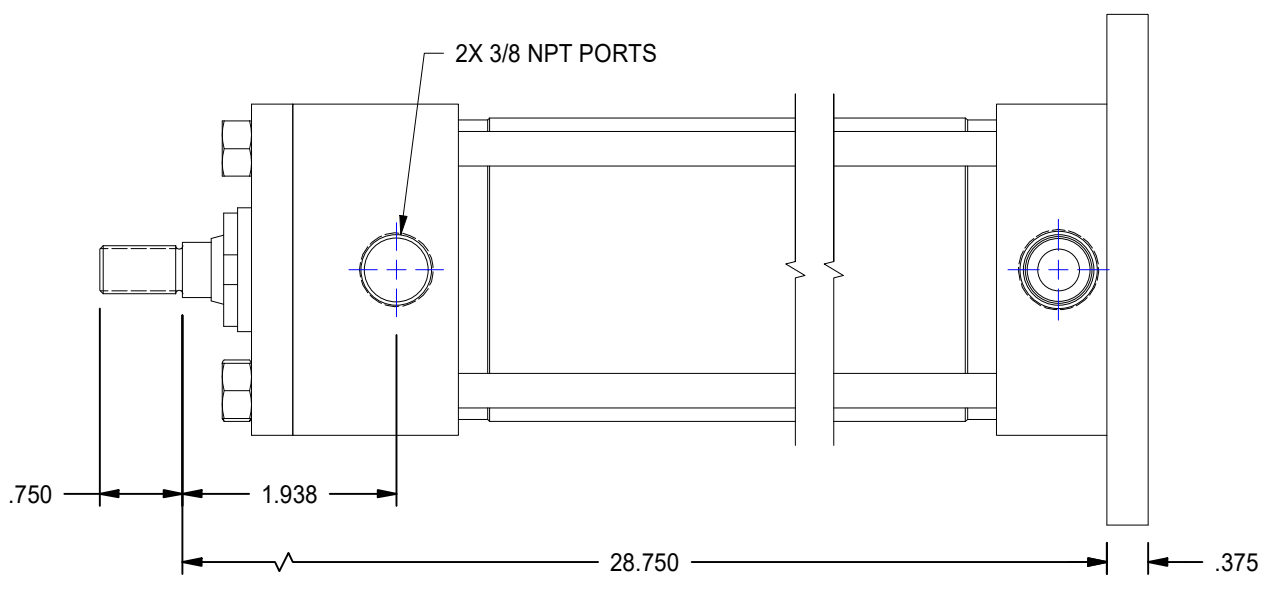
2

A

A

B


B



1

2

DATE	INTL	DESCRIPTION	REV

MODEL NUMBER:		PROJECT/CUSTOMER INFO:		DSGND:	DATE: 2013-03-07	
 <b>TITAN WORLDWIDE INC.</b> <small>31 rue 555 St.</small> <small>Clear Fall or please to use or power. One that stands out for greatness of achievement!</small> <small>PHONE: 807-474-5337 FAX: 807-623-5692 EMAIL: info@titanworldwide.com WEB: www.titanworldwide.com</small>		CAPACITY: 3000 PSI		WEIGHT: 21.361 lbmass		
		SHEET: A SHEET: 1 OF 1 FILENAME: TRP2.50MF2LU14X24.00.idw		TITLE: TRP2.50MF2LU14X24.00		
701 MONTREAL STREET THUNDER BAY, ON P7E 3P-2 CANADA TEL: 807-474-5337 FAX: 807-623-5692 www.titanworldwide.com				DRAWING No:		REVISION: