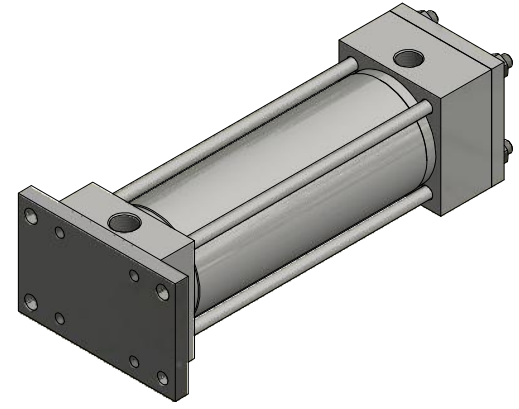
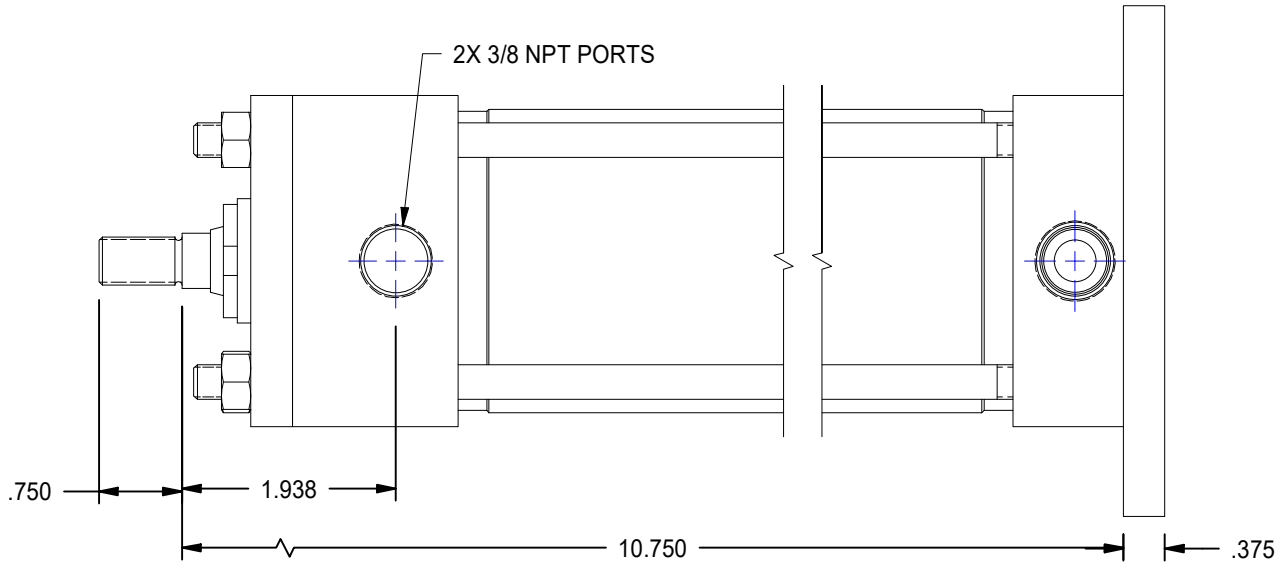


1

2

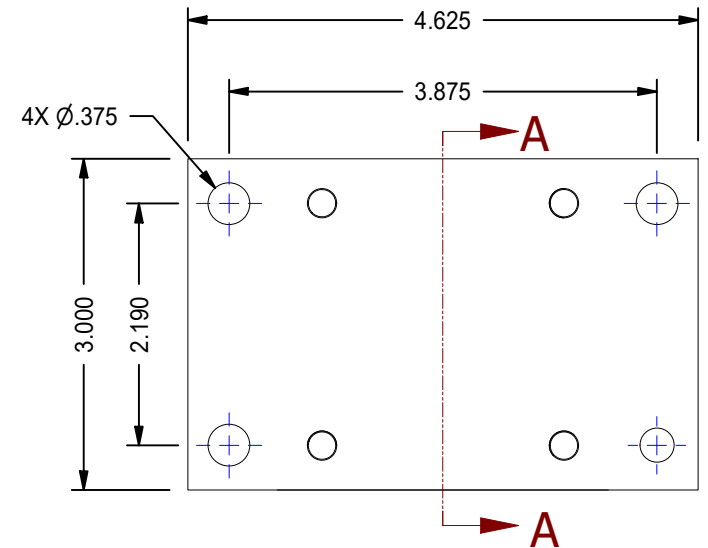
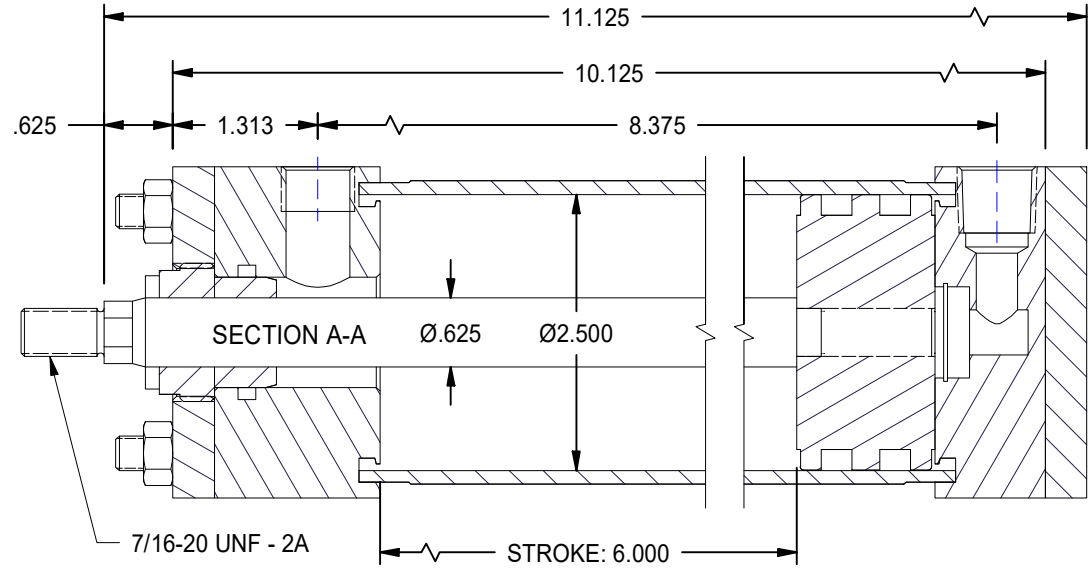
A

A



B

B



1

2

DATE	INTL	DESCRIPTION	REV

MODEL NUMBER:

TITAN WORLDWIDE INC.
75 ton 5000 PSI
 Clear fluid or glycerin, no oil or power. One that stands out for
 greatness of achievement!

PHONE: 807-474-5337 FAX: 807-623-5692 EMAIL: info@titanworldwide.com WEB: www.titanworldwide.com

701 MONTREAL STREET
 THUNDER BAY, ON
 P7E 3P-2
 CANADA
 TEL: 807-474-5337
 FAX: 807-623-5692
 www.titanworldwide.com

PROJECT/CUSTOMER INFO:		DSGND:	DATE: 2013-03-07
CAPACITY: 3000 PSI		WEIGHT: 12.918 lbmass	
SHEET SIZE: A	SHEET: 1 OF 1	FILENAME:	TRP2.50MF2LU14X6.00.idw
TITLE: TRP2.50MF2LU14X6.00			
DRAWING No:			REVISION: