

1

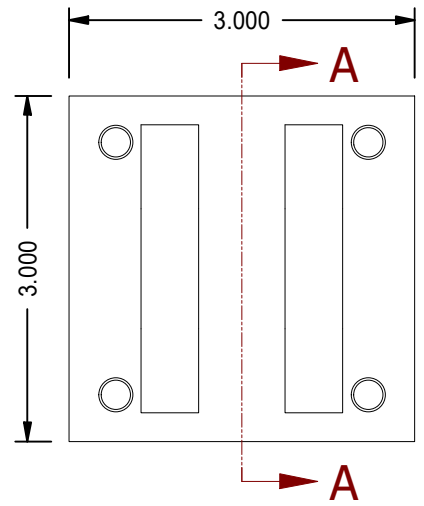
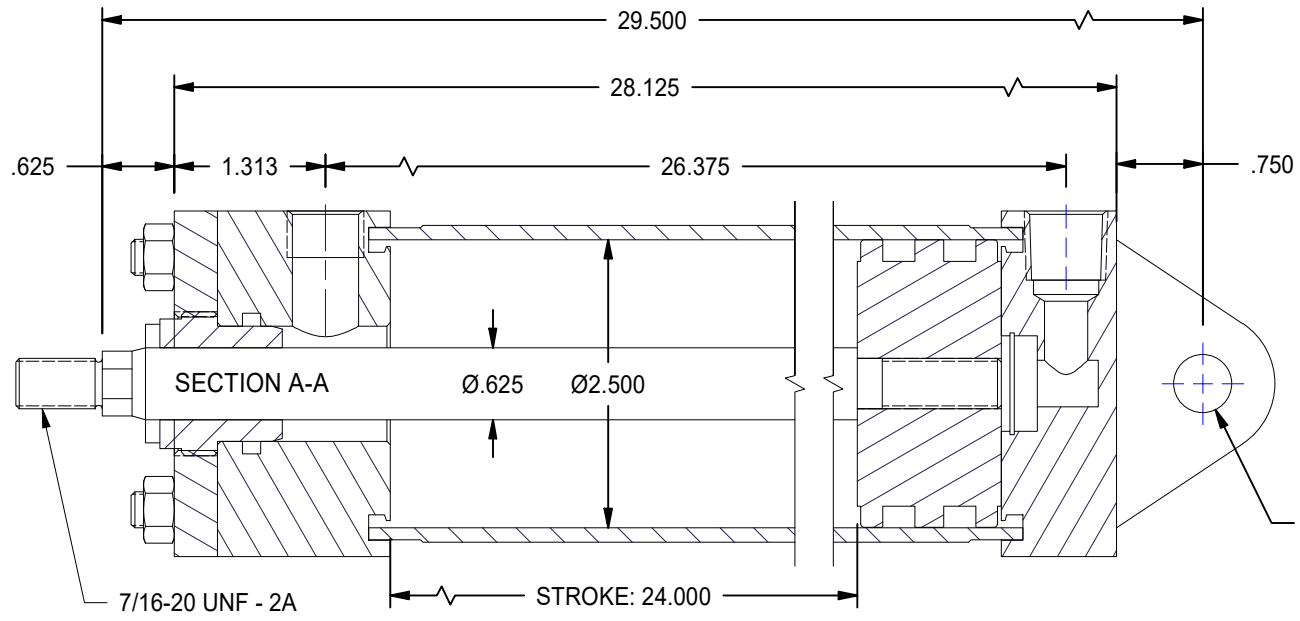
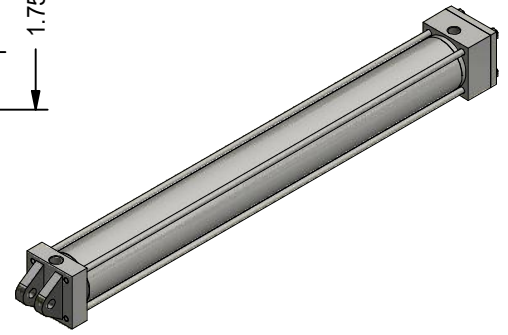
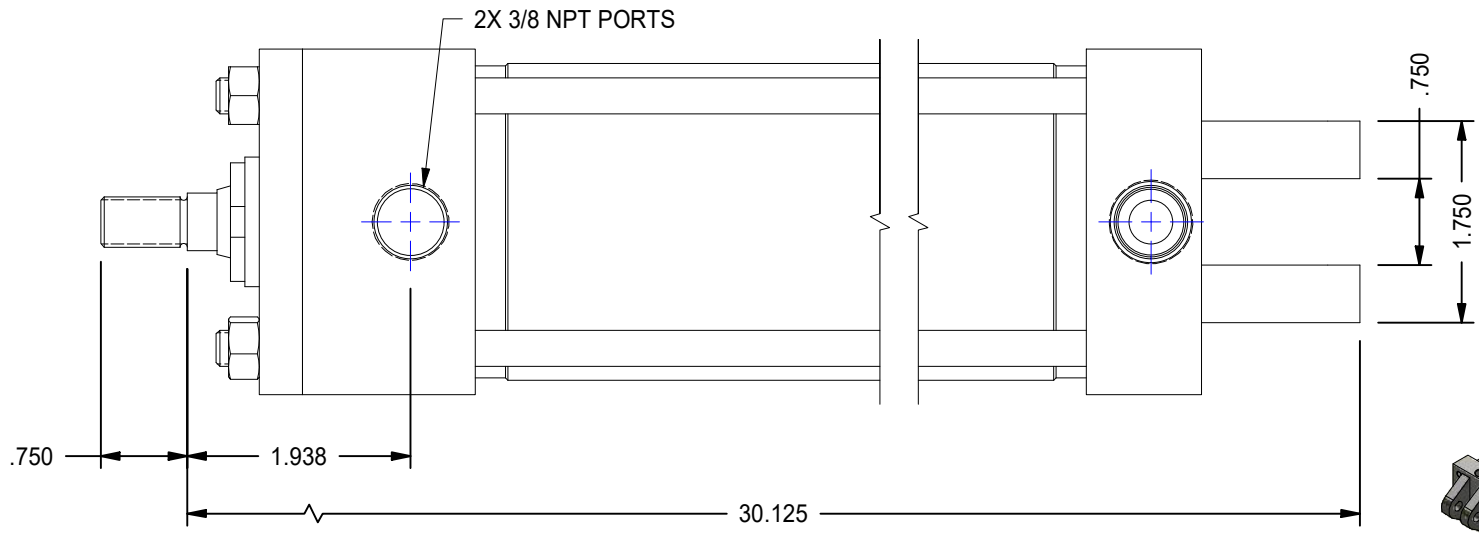
2


A

A

B

B



MODEL NUMBER:		PROJECT/CUSTOMER INFO:		DSGND:	DATE: 2013-03-07
 <b>TITAN WORLDWIDE INC.</b> <small>31 Year ISO 9001          Clear that all products are made in Canada. One that stands out for          greatness of achievement!</small>		CAPACITY: 250 PSI		WEIGHT: 20.504 lbmass	
		SHEET: A SHEET: 1 OF 1 FILENAME: TRP2.50MP1LU14X24.00.idw		TITLE: TRP2.50MP1LU14X24.00	
701 MONTREAL STREET THUNDER BAY, ON P7E 3P-2 CANADA TEL: 807-474-5337 FAX: 807-623-5692 www.titanworldwide.com		DRAWING No:		REVISION:	

DATE	INTL	DESCRIPTION	REV

1

2

