

1

2

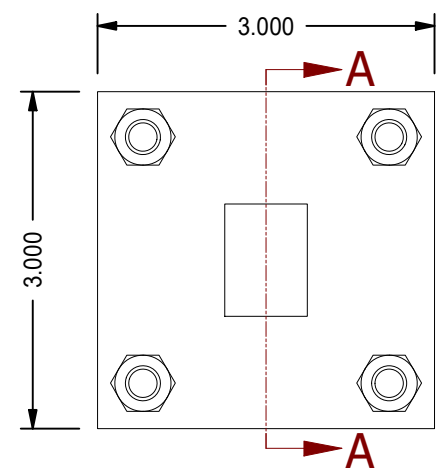
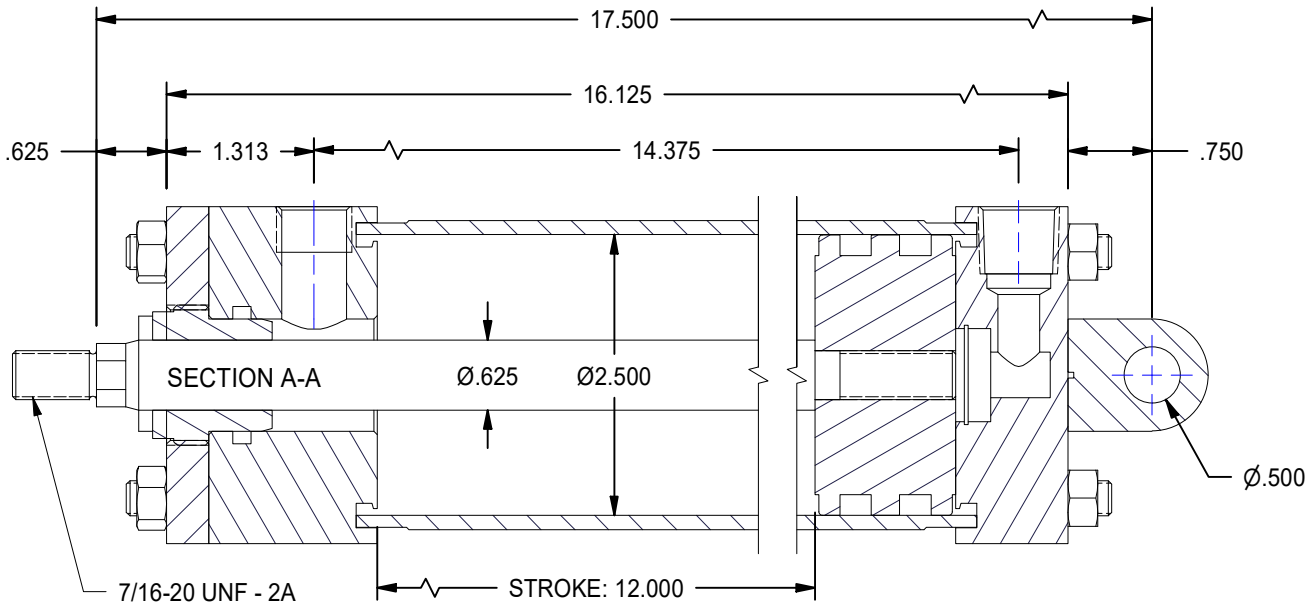
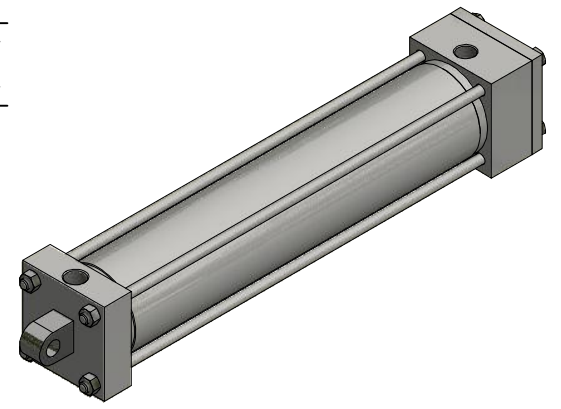
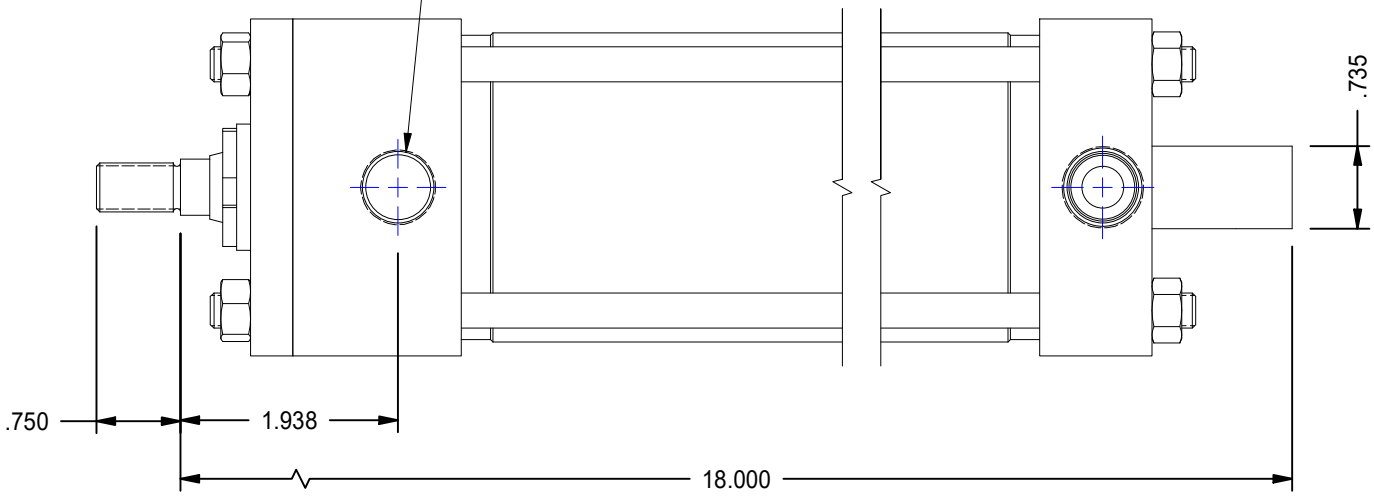
A


A

B

B

2X 3/8 NPT PORTS



MODEL NUMBER:		PROJECT/CUSTOMER INFO:		DSGND:	DATE: 2013-03-07
 TITAN WORLDWIDE INC. <small>75 ton 5000 PSI Clear fluid or glycerin, no oil or power. One that stands out for greatness of achievement!</small> PHONE: 807-474-5337 FAX: 807-623-5692 EMAIL: info@titanworldwide.com WEB: www.titanworldwide.com		CAPACITY:	250 PSI	SHEET SIZE: A SHEET: 1 OF 1 FILENAME: TRP2.50MP3LU14X12.00.idw	
		WEIGHT:	14.602 lbmass	TITLE: TRP2.50MP3LU14X12.00	
DRAWING No:				REVISION:	

1

2

DATE	INTL	DESCRIPTION	REV