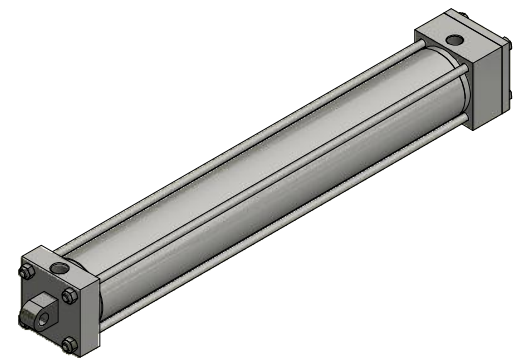
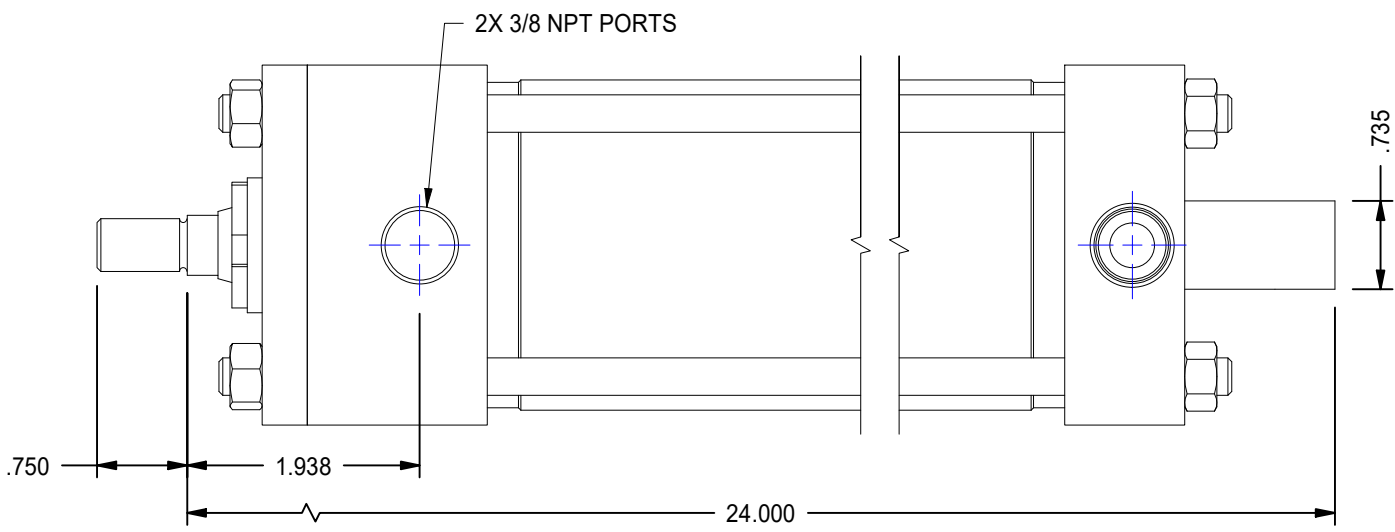


1

2

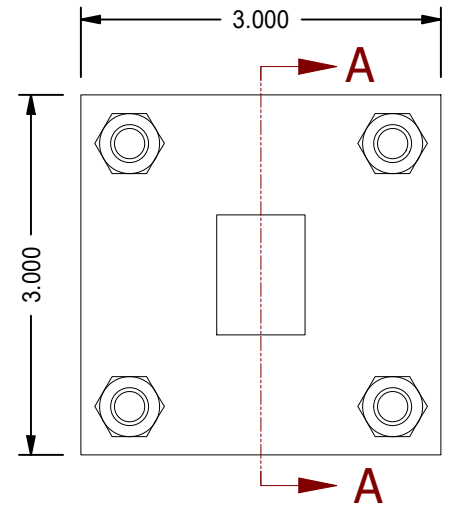
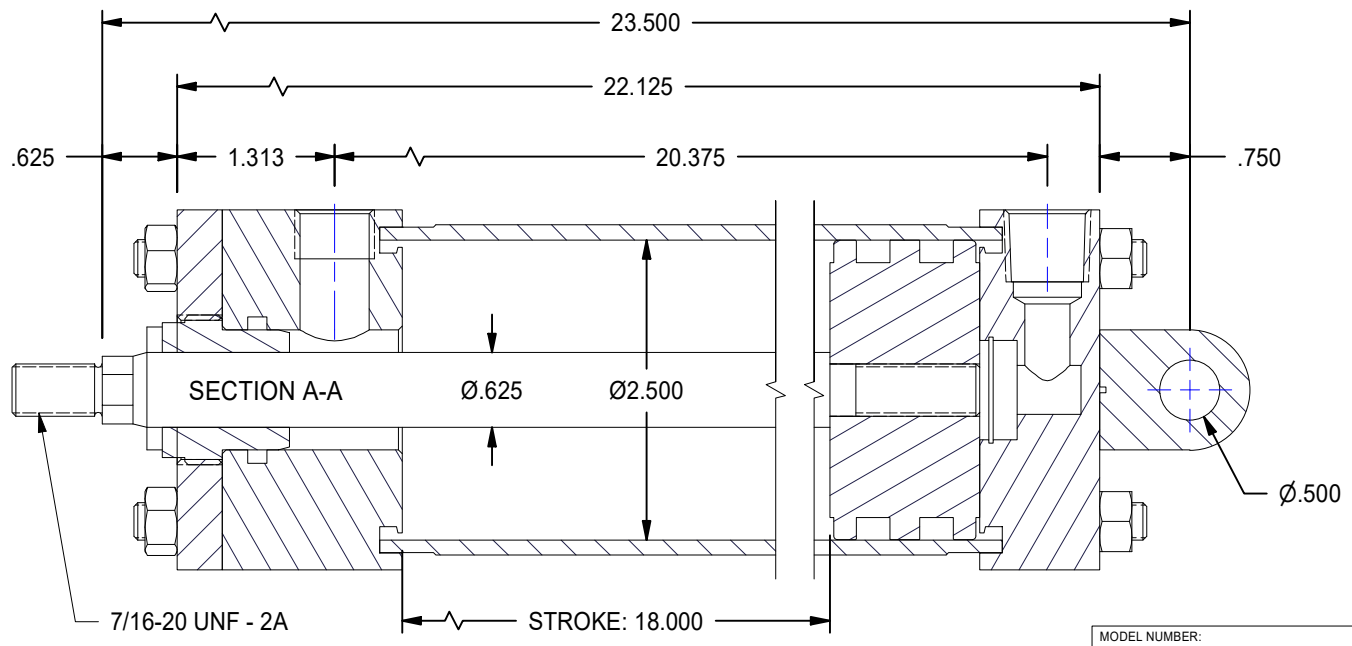
A

A



B

B




1

2



DATE	INTL	DESCRIPTION	REV

MODEL NUMBER:		PROJECT/CUSTOMER INFO:		DSGND:	DATE: 2013-03-07
 <b>TITAN WORLDWIDE INC.</b> <small>31 Van Stitts, Clear Lake, CA 94621, USA Clear Lake is adjacent to state or power. One that stands out for greatness of achievement!</small>		CAPACITY: 250 PSI		WEIGHT: 17.416 lbmass	
		SHEET: A		SHEET: 1 OF 1	FILENAME: TRP2.50MP3LU14X18.00.idw
701 MONTREAL STREET THUNDER BAY, ON P7E 3P-2 CANADA TEL: 807-474-5337 FAX: 807-423-5692 www.titanworldwide.com		TITLE: TRP2.50MP3LU14X18.00			
DRAWING No:					REVISION: