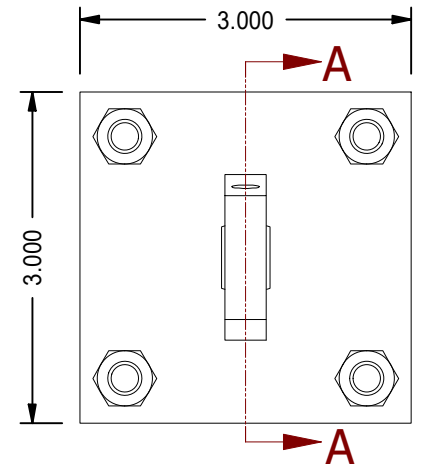
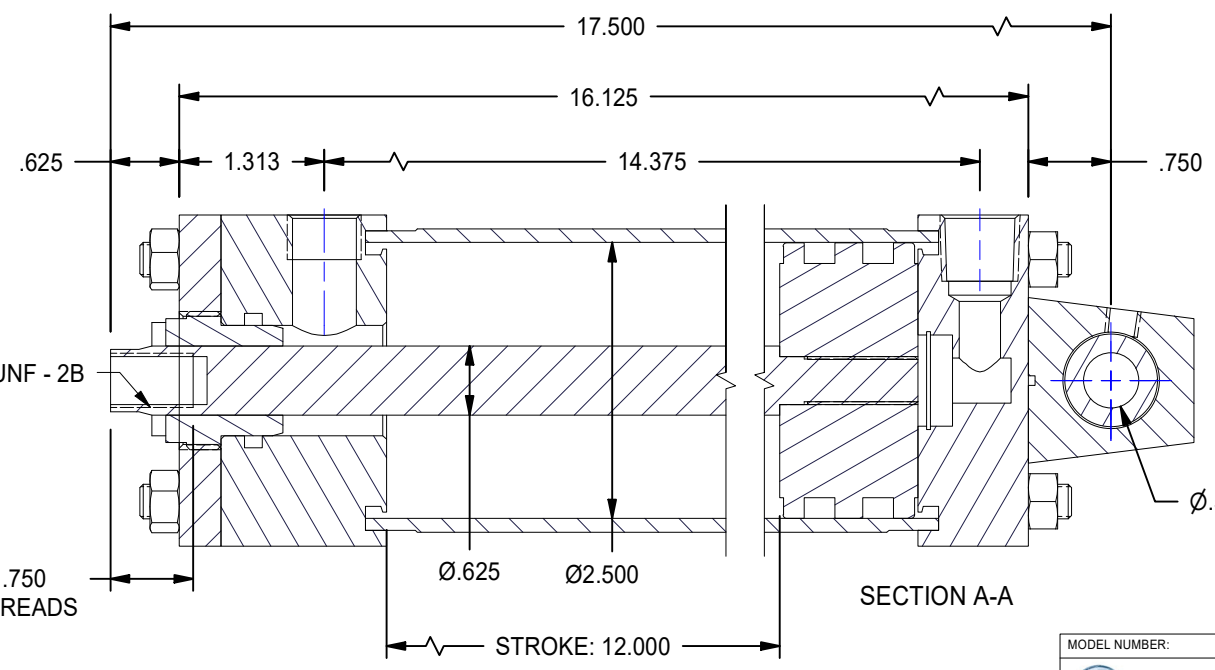
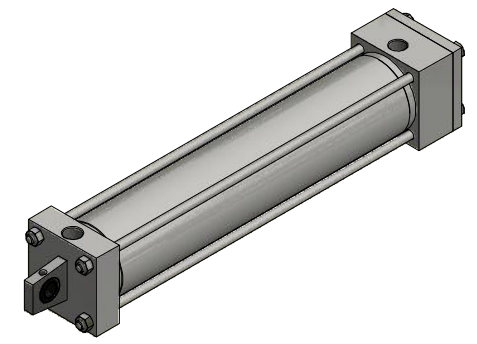
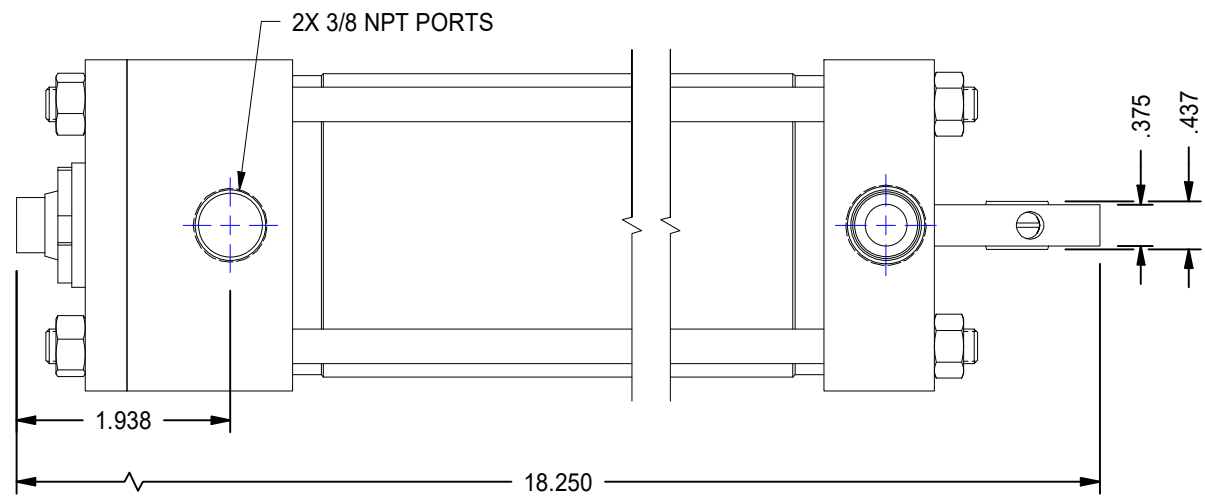


1

2



A

A

B

B

1

2

DATE	INTL	DESCRIPTION	REV

MODEL NUMBER:

TITAN WORLDWIDE INC.
31 Year ISO 9001
 Clear Fall or Impact in case of power. One that stands out for
 greatness of achievement!

PHONE: 807-474-5337 FAX: 807-623-5692 EMAIL: info@stanworldwide.com WEB: www.stanworldwide.com

701 MONTREAL STREET
 THUNDER BAY, ON
 P7E 3P-2
 CANADA
 TEL: 807-474-5337
 FAX: 807-623-5692
 www.stanworldwide.com

PROJECT/CUSTOMER INFO:		DSGND:	DATE: 2013-03-07
		CAPACITY:	250 PSI
		WEIGHT:	14.482 lbmass
SHEET SIZE: A	SHEET: 1 OF 1	FILENAME:	TRP2.50MP5LU14X12.00.idw
TITLE: TRP2.50MP5LU14X12.00			
DRAWING No:			REVISION: