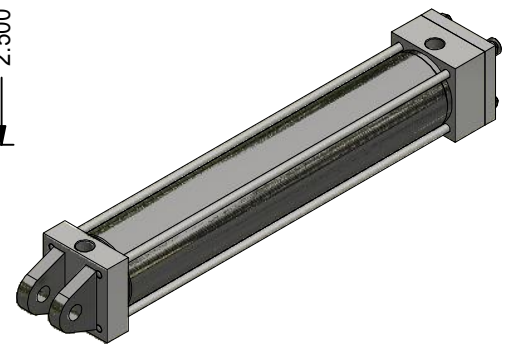
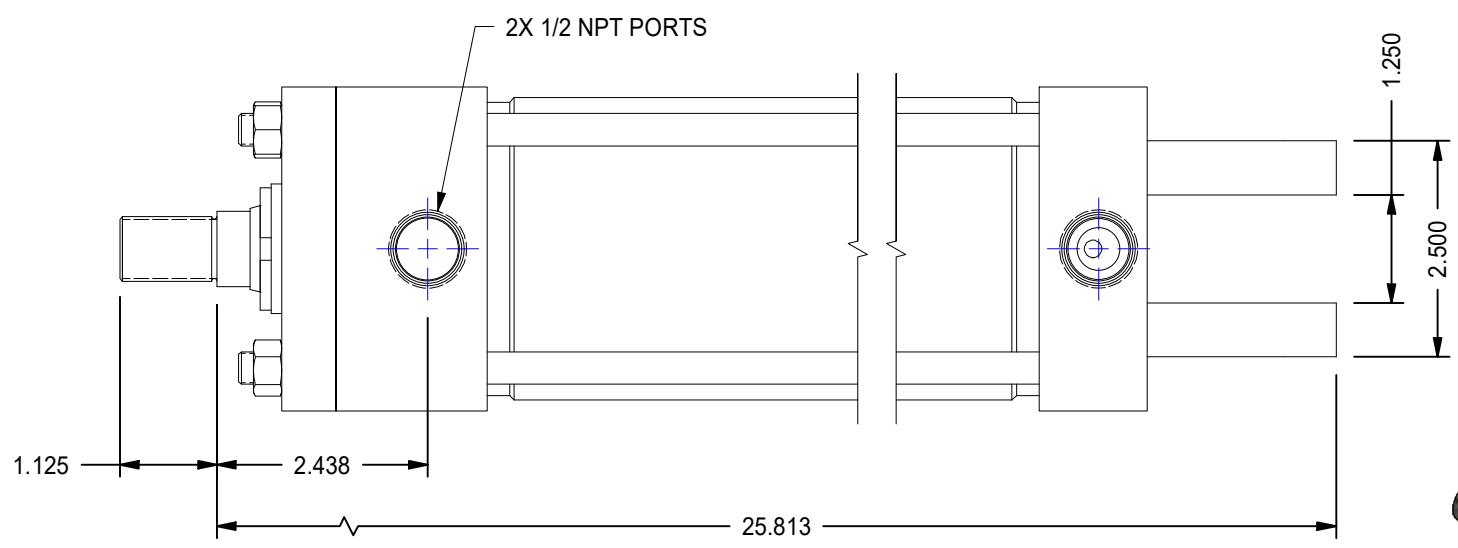


1

2

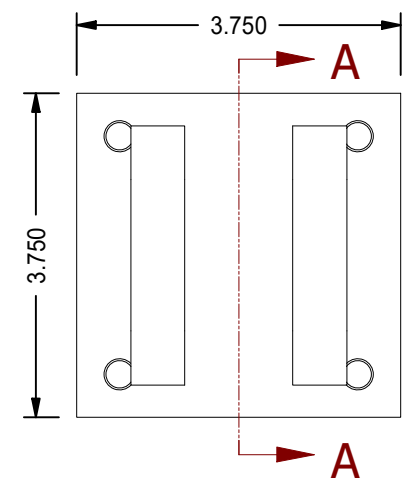
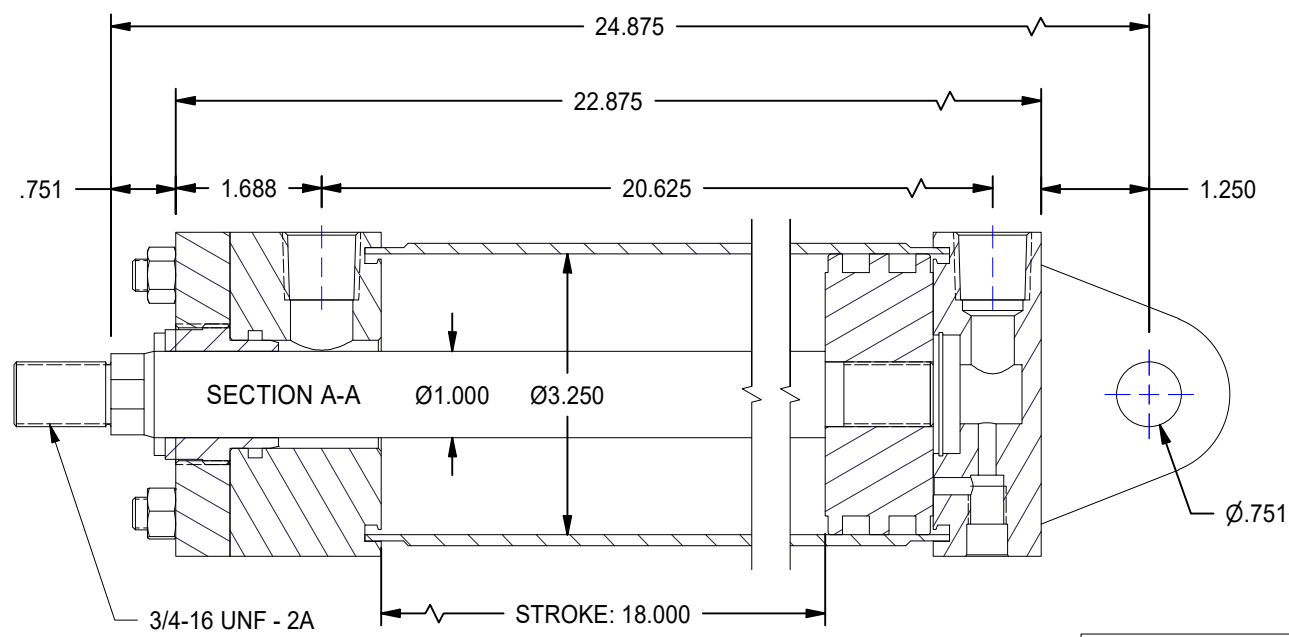
A

A



B

B




B

B

1

2

DATE	INTL	DESCRIPTION	REV

MODEL NUMBER:		PROJECT/CUSTOMER INFO:		DSGND:	DATE: 2013-03-07
 TITAN WORLDWIDE INC. <small>31 Year ISO 9001</small> <small>Clear fluid or glycol, in case of power. One that stands out for greatness of achievement!</small> <small>PHONE: 807-474-5337 FAX: 807-623-5692 EMAIL: info@titanworldwide.com WEB: www.titanworldwide.com</small>		CAPACITY:	250 PSI	SHEET SIZE: A SHEET: 1 OF 1 FILENAME: TRP3.25MP1LU14X18.00.idw	
		WEIGHT:	30.985 lbmass	TITLE: TRP3.25MP1LU14X18.00	
DRAWING No:				REVISION:	