

1

2

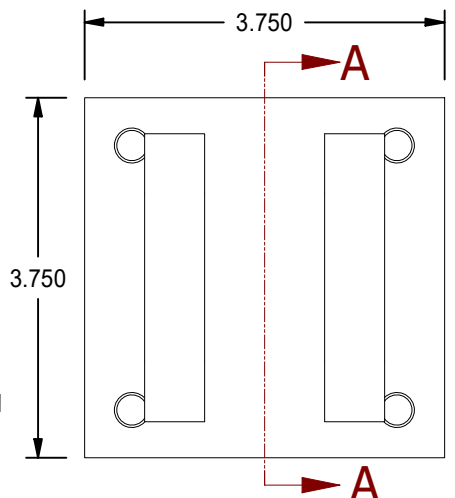
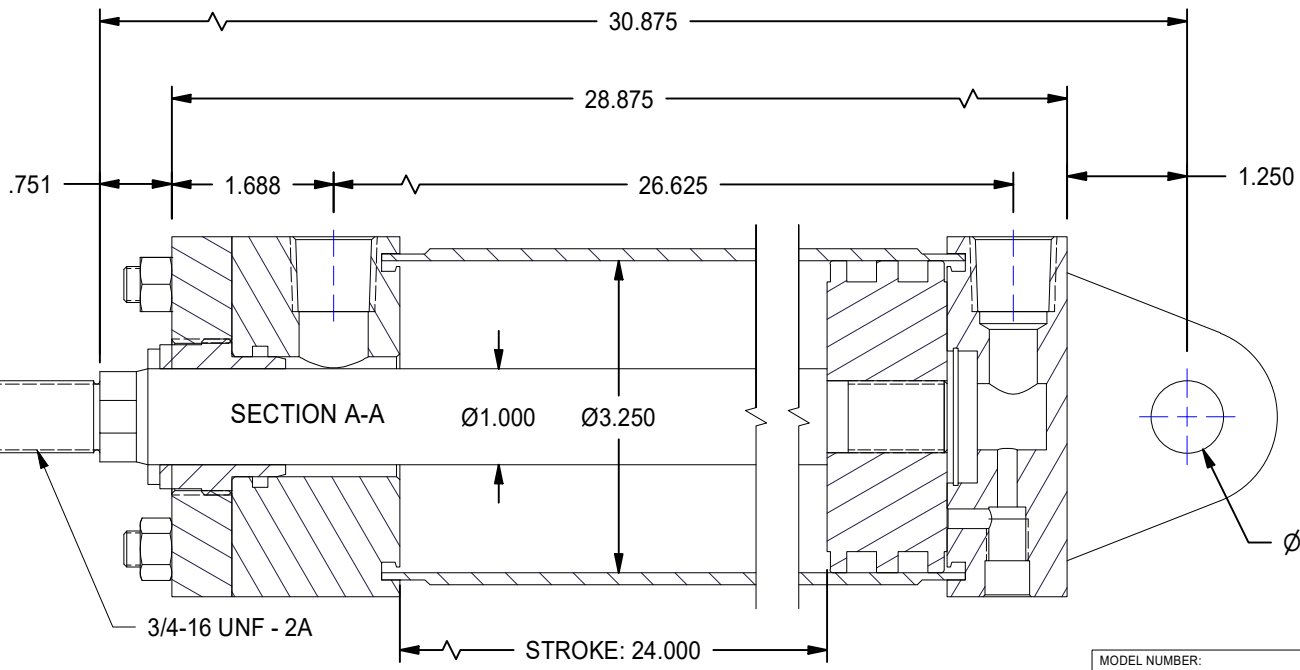
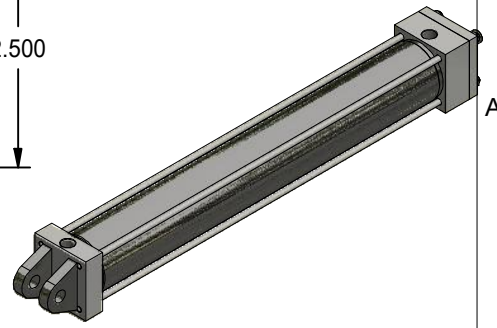
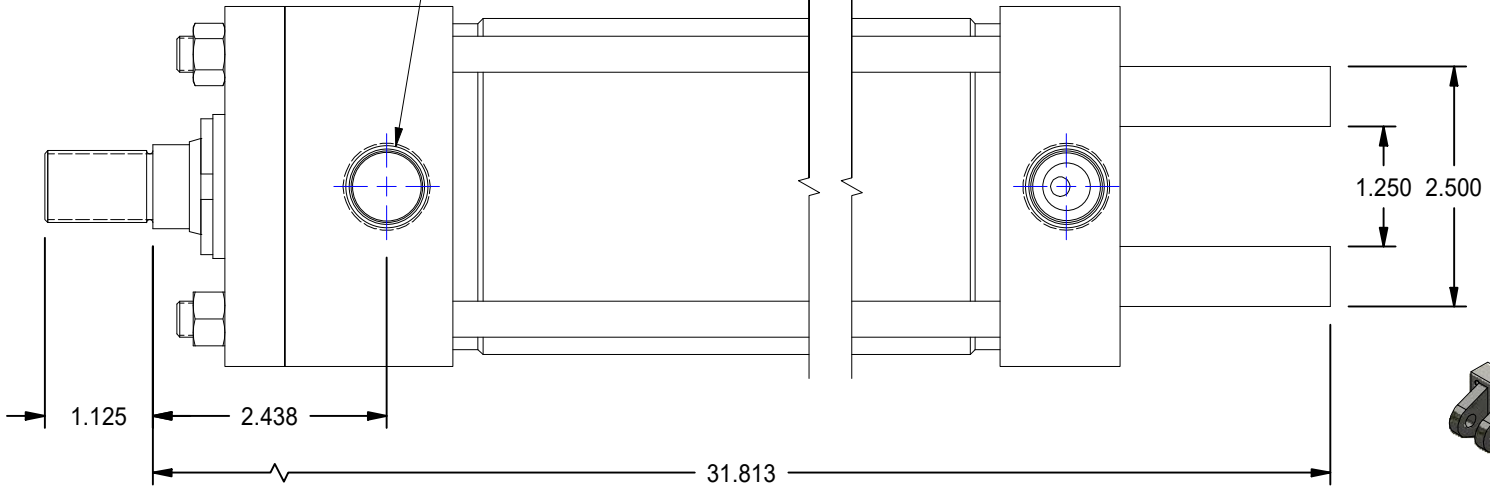
A


A

B

B

2X 1/2 NPT PORTS



MODEL NUMBER:		PROJECT/CUSTOMER INFO:		DSGND:	DATE: 2013-03-07
 <b>TITAN WORLDWIDE INC.</b> <small>31 Year ISO 9001</small> <small>Clear that all products are made in Canada. One that stands out for greatness in achievement!</small> <small>PHONE: 807-474-5337 FAX: 807-623-5692 EMAIL: info@titanworldwide.com WEB: www.titanworldwide.com</small>		CAPACITY: 250 PSI		FILENAME: TRP3.25MP1LU14X24.00.idw	
		WEIGHT: 35.329 lbmass		SHEET: A SHEET: 1 OF 1	
701 MONTREAL STREET THUNDER BAY, ON P7E 3P2 CANADA TEL: 807-474-5337 FAX: 807-623-5692 www.titanworldwide.com		TITLE: TRP3.25MP1LU14X24.00			
DRAWING No:					REVISION:

DATE	INTL	DESCRIPTION	REV

1

2

1