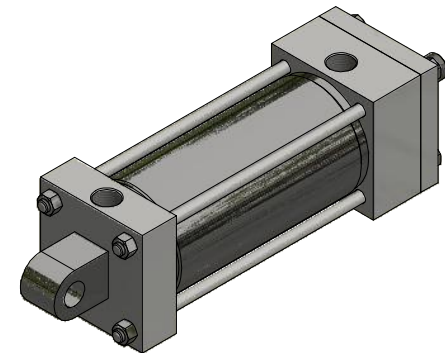
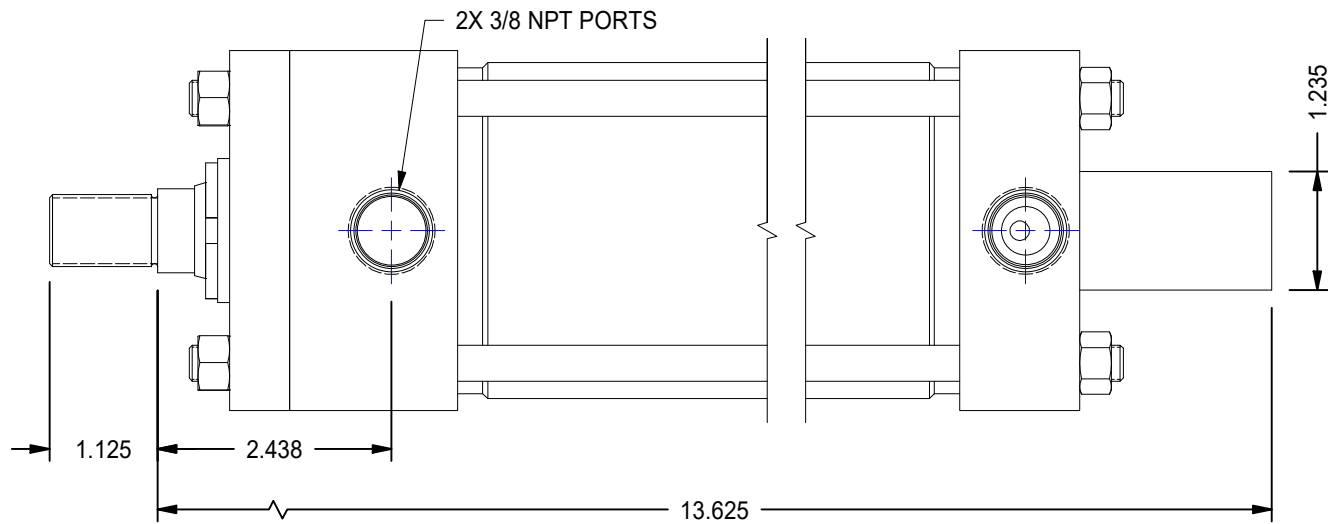


1

2

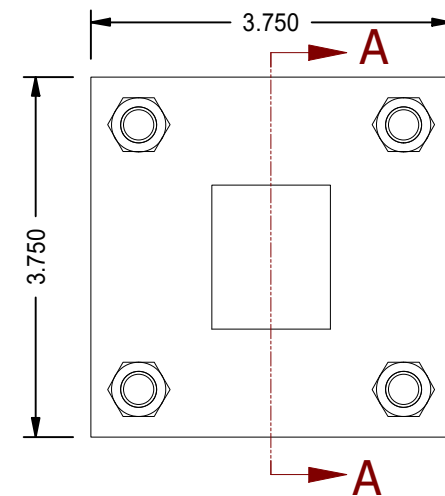
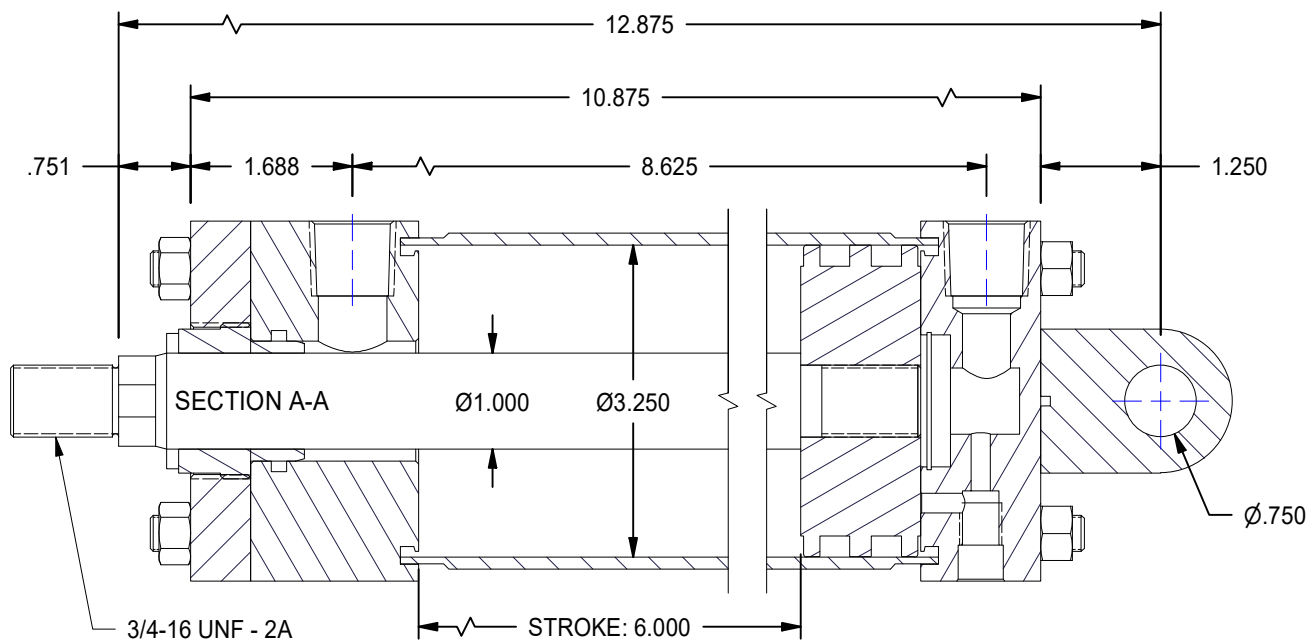
A

A



B

B



B

B

1

2

DATE	INTL	DESCRIPTION	REV

MODEL NUMBER:



PROJECT/CUSTOMER INFO:

DSGND: DATE: 2013-03-07

CAPACITY: 250 PSI

WEIGHT: 21.774 lbmass

SHEET SIZE: A SHEET: 1 OF 1 FILENAME: TRP3.25MP3LU14X6.00.idw

TITLE: TRP3.25MP3LU14X6.00

DRAWING No: REVISION: