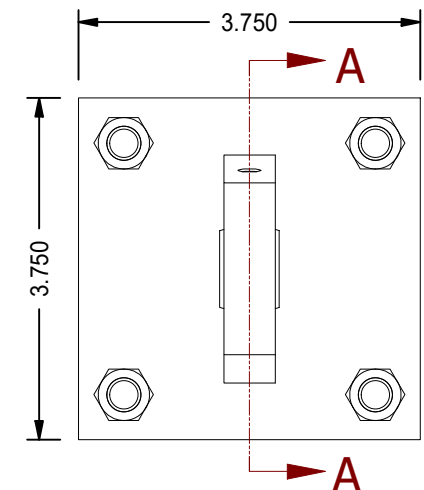
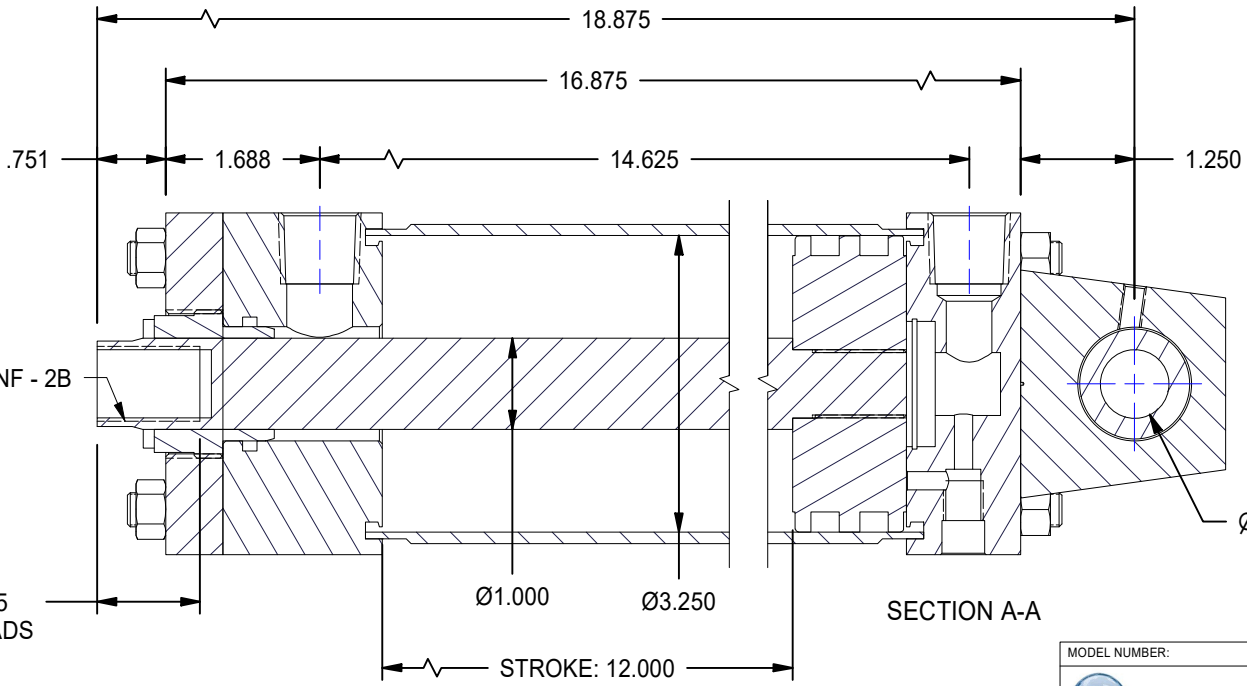
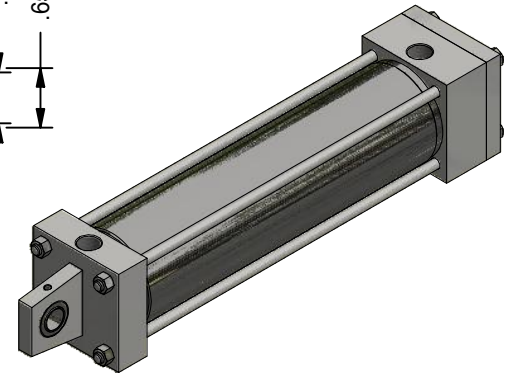
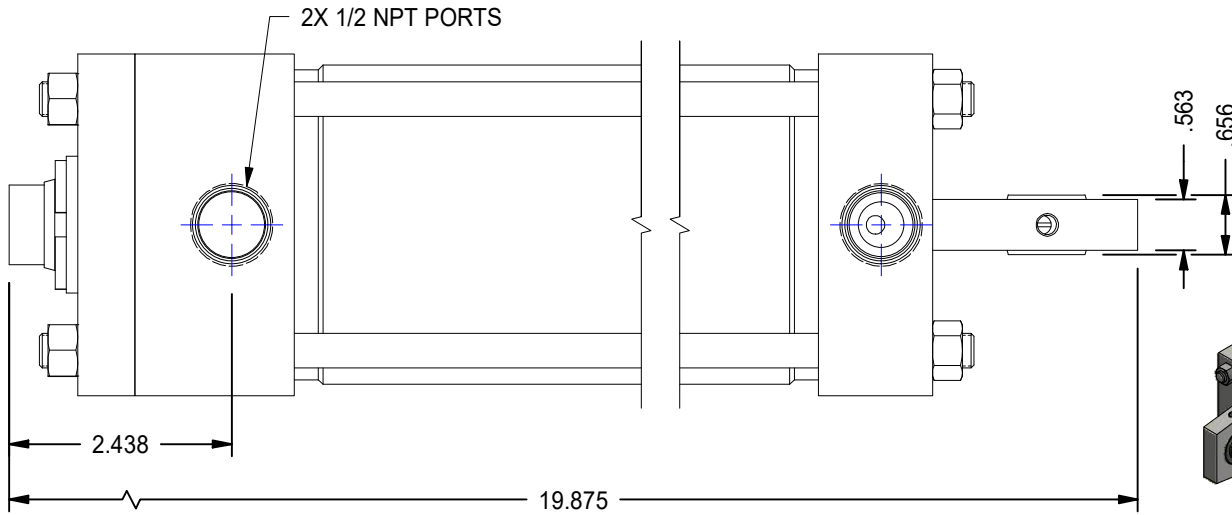



1

2



MODEL NUMBER:		PROJECT/CUSTOMER INFO:		DSGND:	DATE: 2013-03-07
 <b>TITAN WORLDWIDE INC.</b> <small>75 ton 5000 LBS. Clear limit on capacity, in case of power. One that stands out for greatness of achievement!</small> PHONE: 807-474-5337 FAX: 807-623-5692 EMAIL: info@titanworldwide.com WEB: www.titanworldwide.com		CAPACITY:	250 PSI	SHEET SIZE: A SHEET: 1 OF 1 FILENAME: TRP3.25MP5LU14X12.00.idw	
		WEIGHT:	25.727 lbmass	TITLE: TRP3.25MP5LU14X12.00	
DRAWING No:				REVISION:	

DATE	INTL	DESCRIPTION	REV

1

2