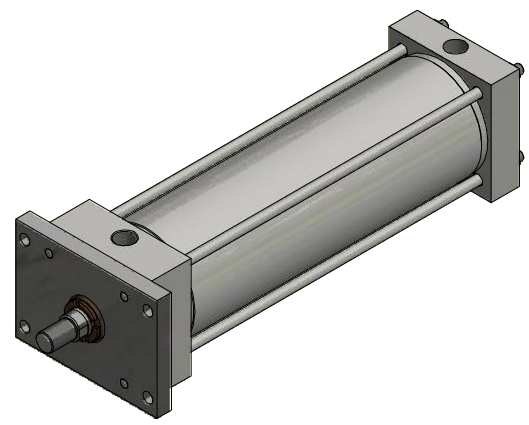
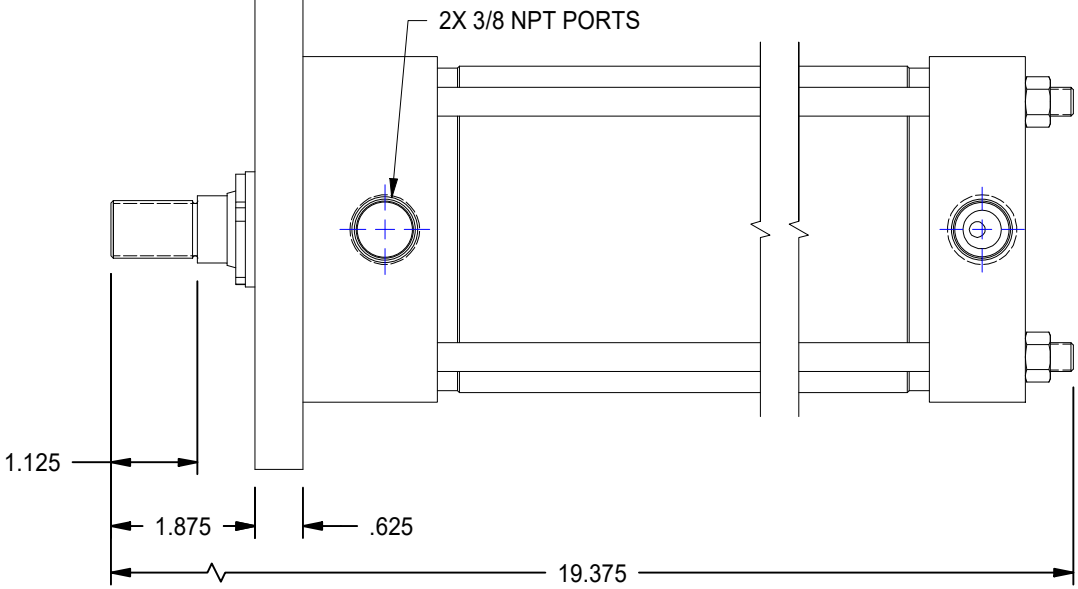


1

2

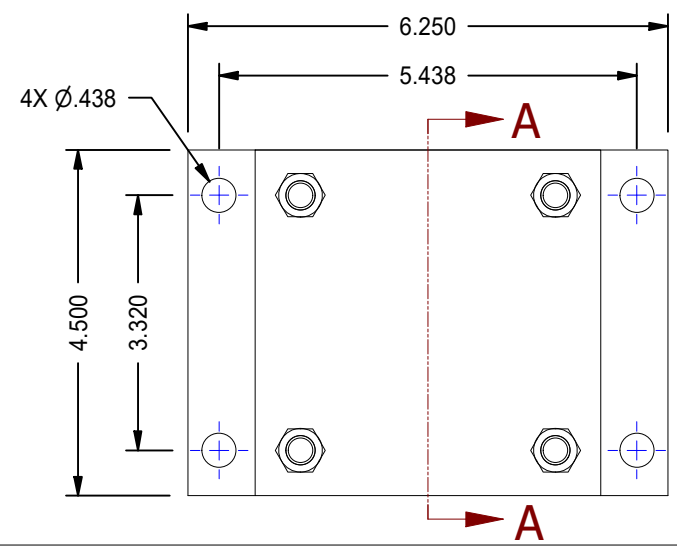
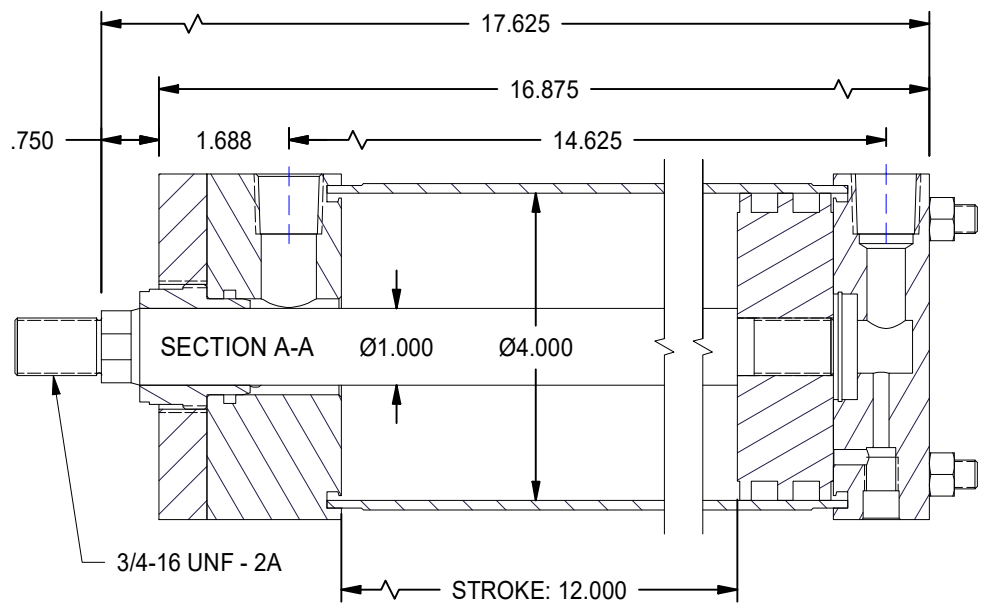
A


A



B

B



MODEL NUMBER:		PROJECT/CUSTOMER INFO:		DSGND:	DATE: 2013-03-07
 TITAN WORLDWIDE INC. <small>31 Sun Blvd. Clear Lake, CA 94505 Clear Lake is located in state of power. One that stands out for greatness of achievement!</small>		CAPACITY: 3000 PSI		WEIGHT: 35.087 lbmass	
		SHEET SIZE: A SHEET: 1 OF 1 FILENAME: TRP4.00MF1LU14X12.00.idw		TITLE: TRP4.00MF1LU14X12.00	
701 MONTREAL STREET THUNDER BAY, ON P7E 3P-2 CANADA TEL: 807-474-5337 FAX: 807-423-5692 www.titanworldwide.com		DRAWING No:		REVISION:	

1

2

DATE	INTL	DESCRIPTION	REV

1