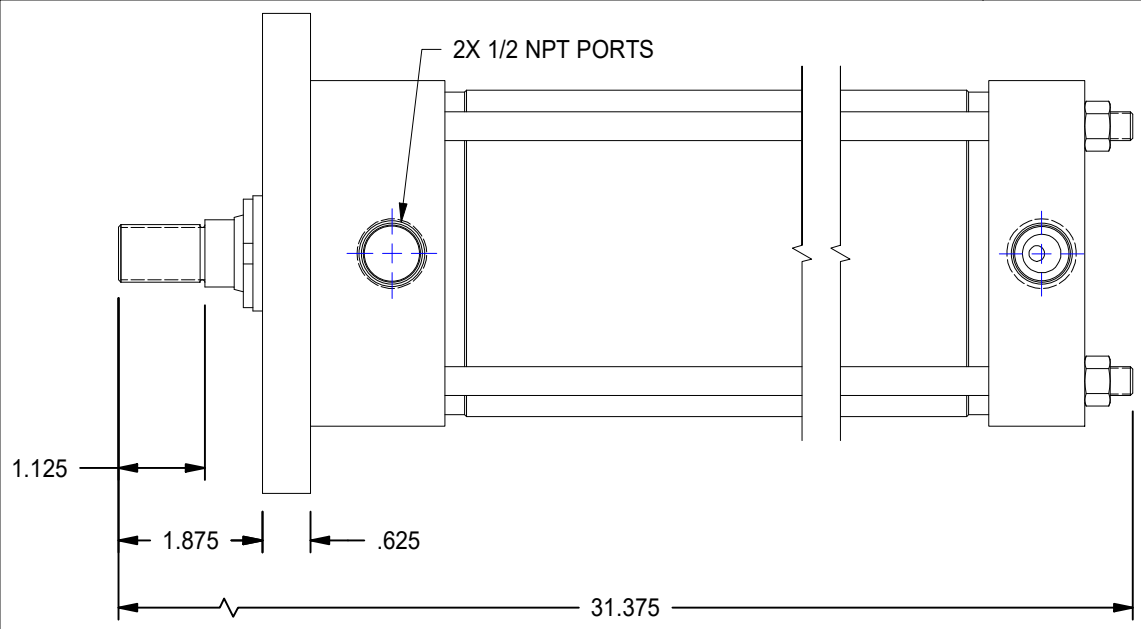


1

2

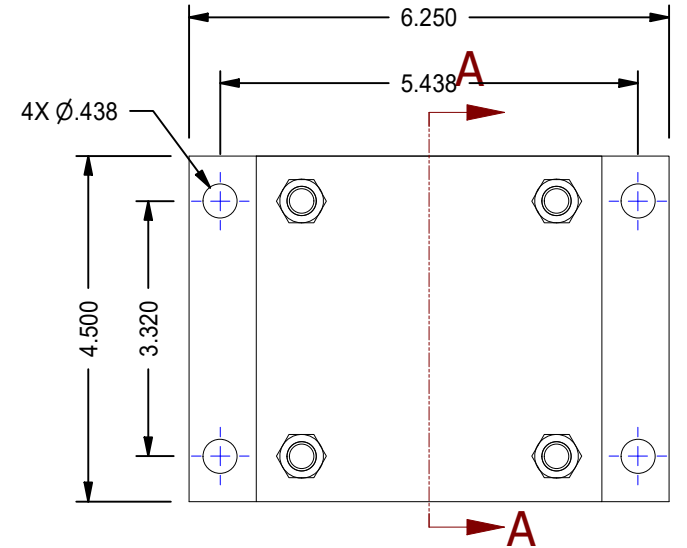
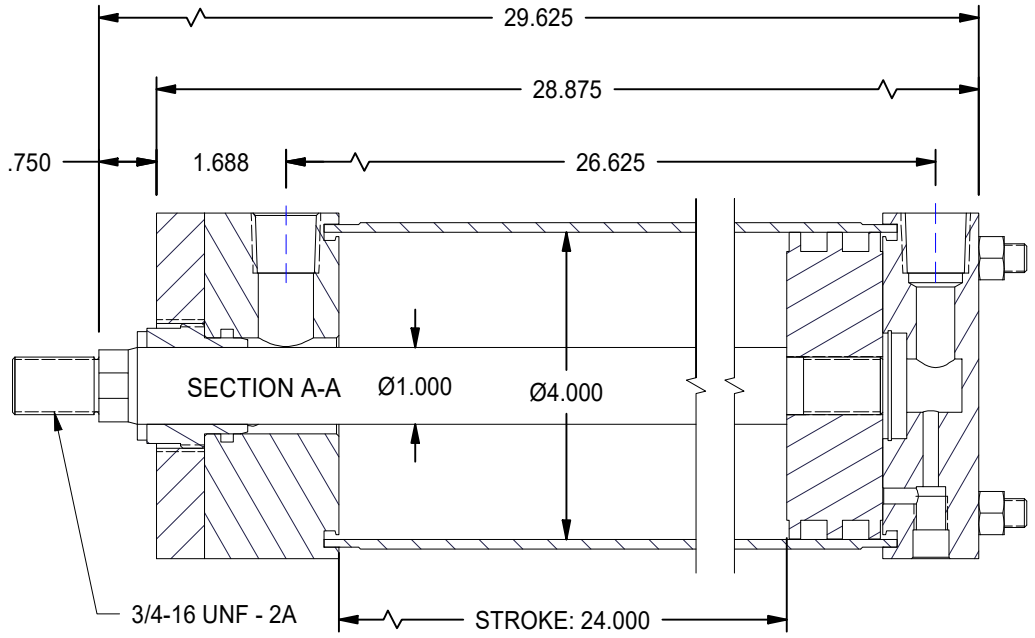
A


A



B

B



MODEL NUMBER:		PROJECT/CUSTOMER INFO:		DSGND:	DATE: 2013-03-07
 TITAN WORLDWIDE INC. <small>71 rue 500 S. Clear Fall or please to date or power. One that stands out for greatness of achievement</small>		CAPACITY		3000 PSI	
		WEIGHT:		44.854 lbmass	
SHEET SIZE: A	SHEET: 1 OF 1	FILENAME:	TRP4.00MF1LU14X24.00.idw		
TITLE: TRP4.00MF1LU14X24.00					
DRAWING No:					REVISION:

1

2

DATE	INTL	DESCRIPTION	REV

1