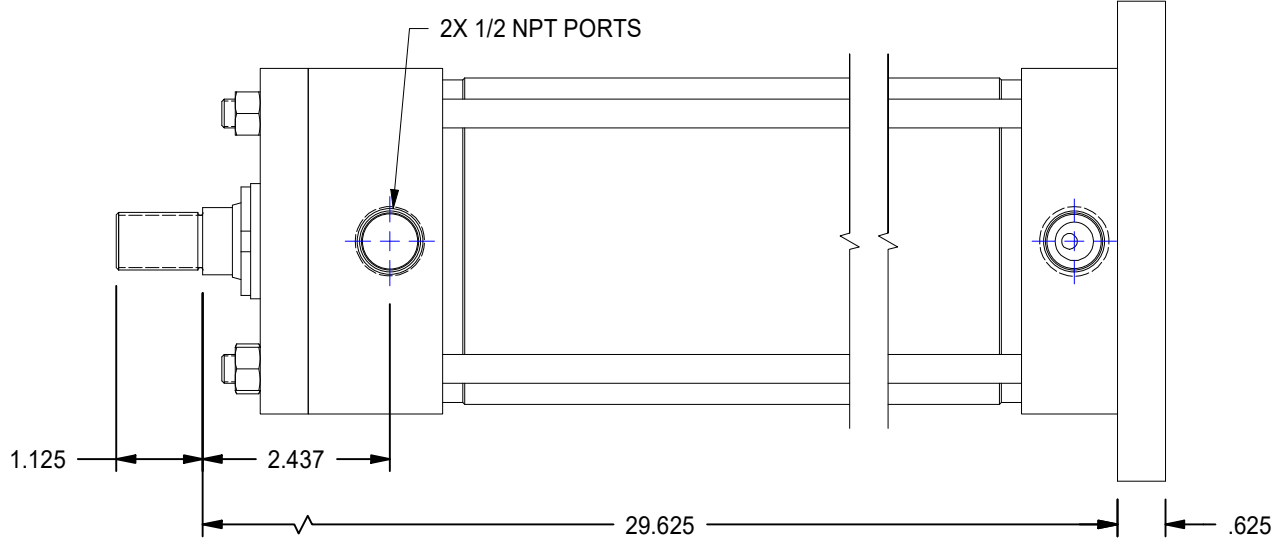


1

2

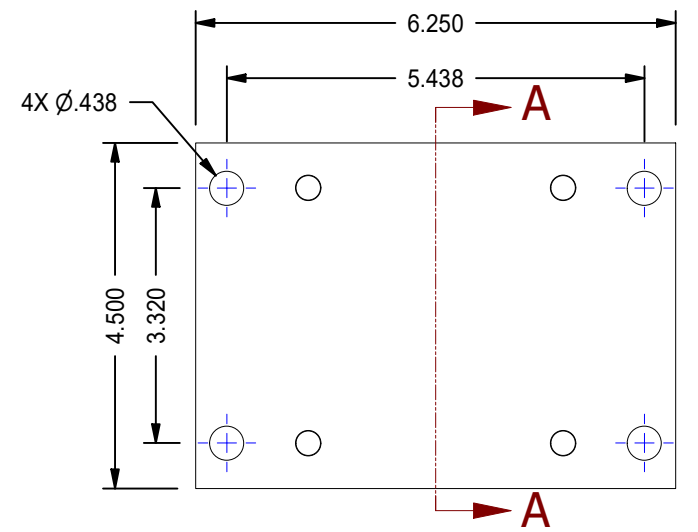
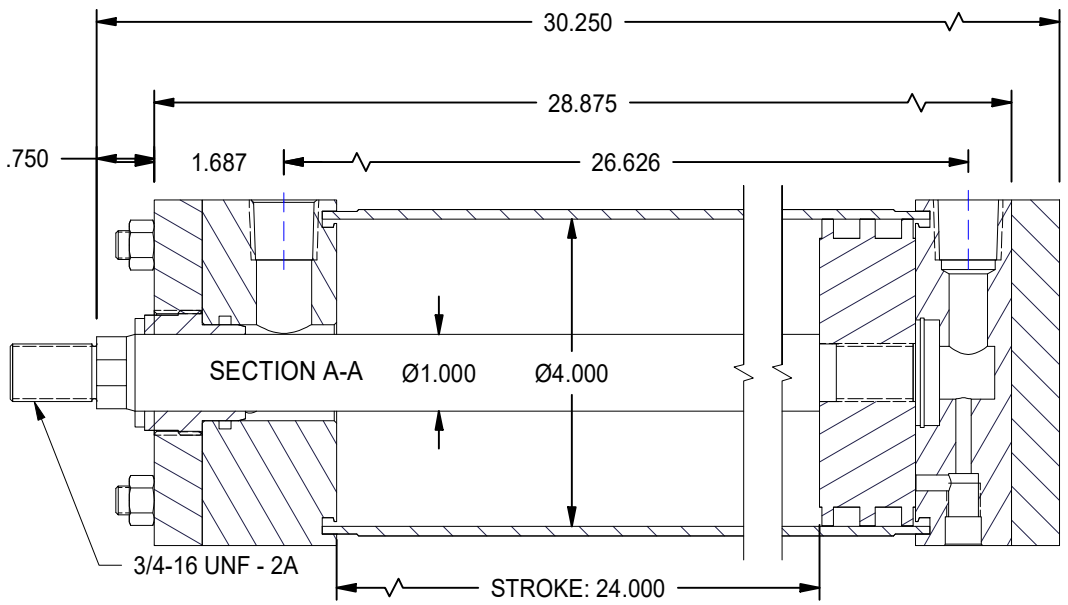
A

A




B

B



B

B

MODEL NUMBER:		PROJECT/CUSTOMER INFO:		DSGND:	DATE: 2013-03-07
 TITAN WORLDWIDE INC. <small>31 rue 1875 Clear Fall or operate in case of power. One that stands out for greatness of achievement</small>		CAPACITY: 3000 PSI		WEIGHT: 48.464 lbmass	
		SHEET: A SHEET: 1 OF 1 FILENAME: TRP4.00MF2LU14X24.00.idw		TITLE: TRP4.00MF2LU14X24.00	
701 MONTREAL STREET THUNDER BAY, ON P7E 3P-2 CANADA TEL: 807-474-5337 FAX: 807-623-5692 www.titanworldwide.com		DRAWING No:		REVISION:	

1

2

DATE	INTL	DESCRIPTION	REV

1