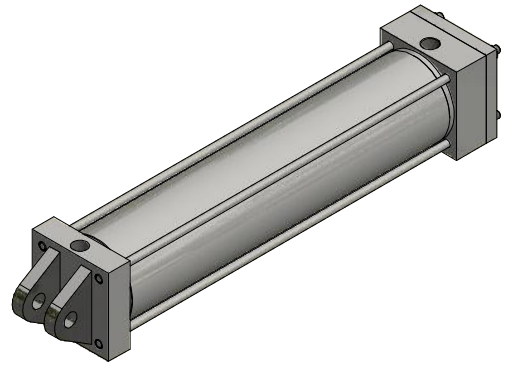
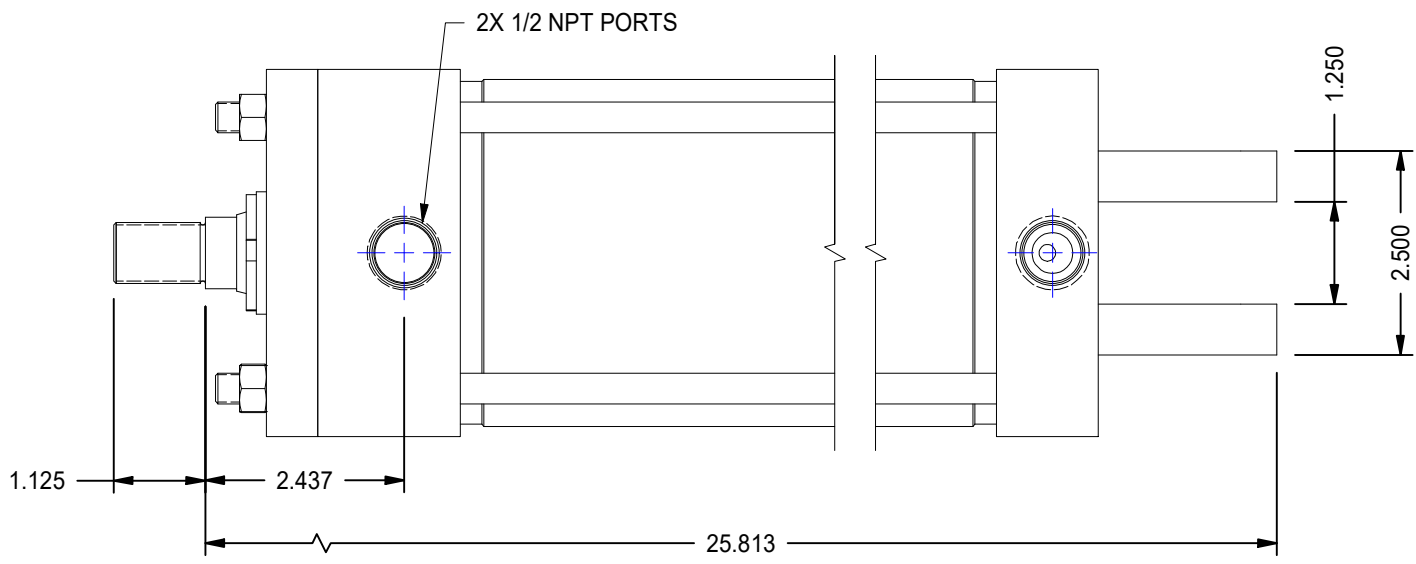


1

2

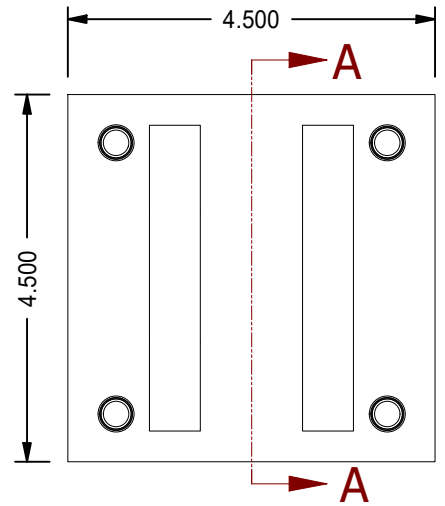
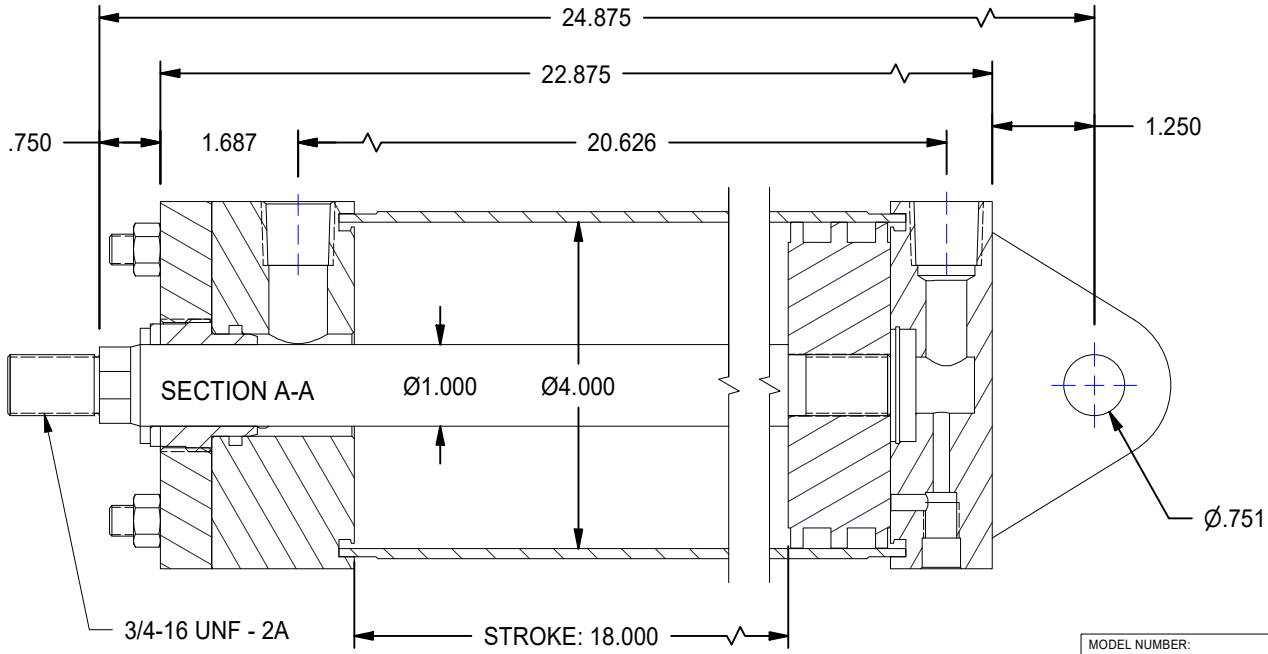
A

A



B

B




B

B

1

2

MODEL NUMBER:		PROJECT/CUSTOMER INFO:		DSGND:	DATE: 2013-03-07	
 TITAN WORLDWIDE INC. <small>31 Year ISO 9001</small> <small>Clear that it's genuine, in case of power. One that stands out for greatness of achievement!</small> <small>PHONE: 807-474-5337 FAX: 807-623-5692 EMAIL: info@titanworldwide.com WEB: www.titanworldwide.com</small>		CAPACITY: 250 PSI		WEIGHT: 40.372 lbmass		
		SHEET: A SHEET: 1 OF 1 FILENAME: TRP4.00MP1LU14X18.00.idw		TITLE: TRP4.00MP1LU14X18.00		
701 MONTREAL STREET THUNDER BAY, ON P7E 3P-2 CANADA TEL: 807-474-5337 FAX: 807-623-5692 www.titanworldwide.com				DRAWING No:		REVISION:

DATE	INTL	DESCRIPTION	REV