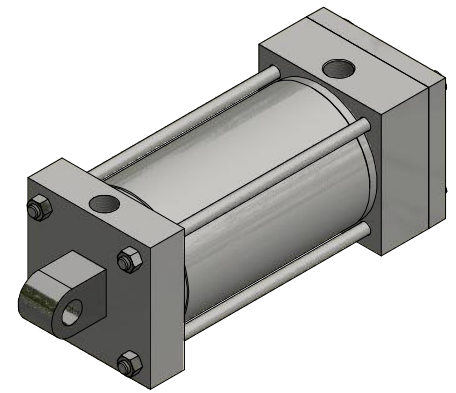
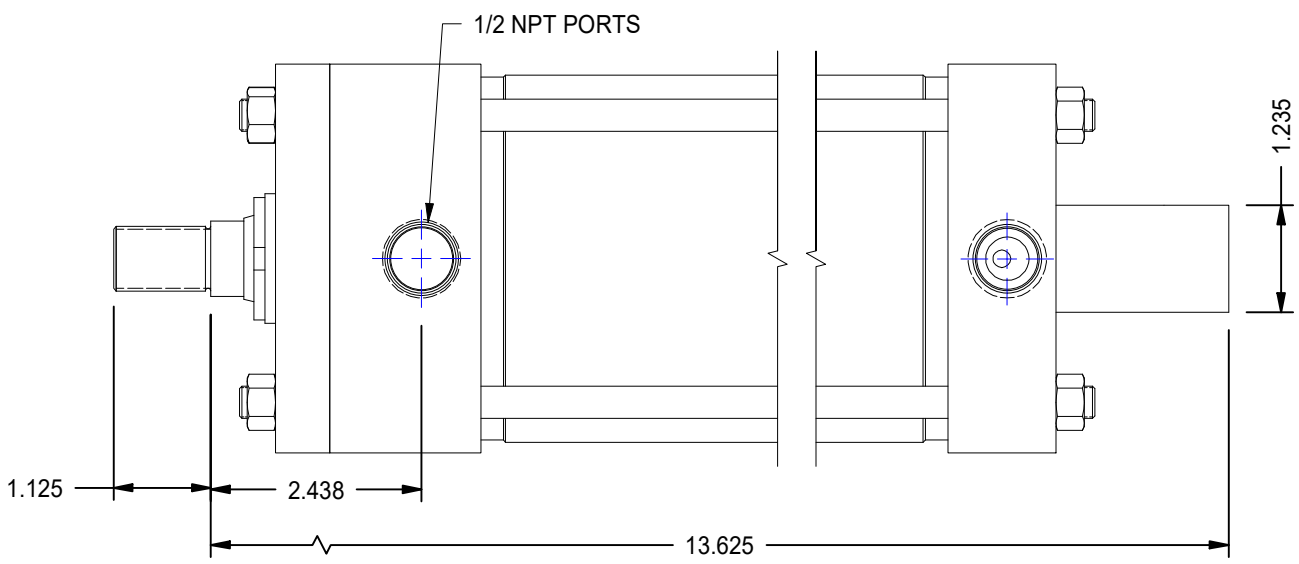


1

2

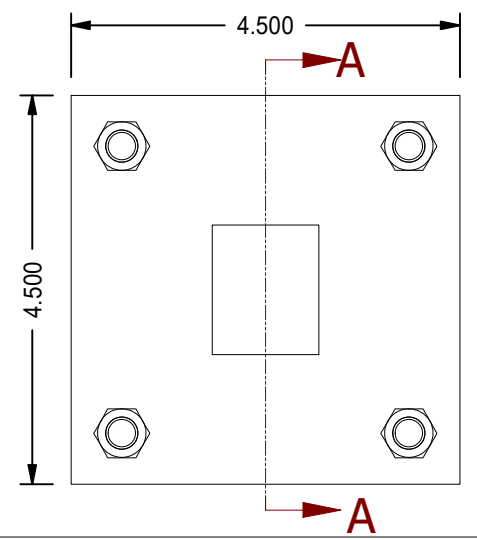
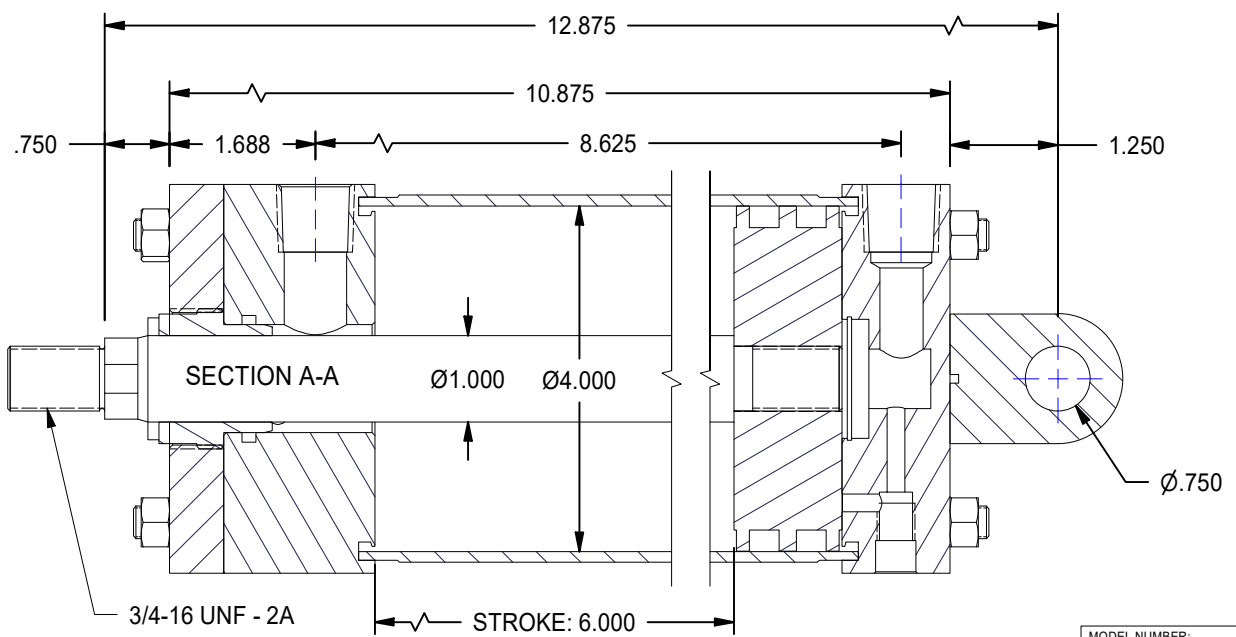
A


A



B

B



MODEL NUMBER:		PROJECT/CUSTOMER INFO:		DSGND:	DATE: 2013-03-07
 <b>TITAN WORLDWIDE INC.</b> <small>701 MONTREAL STREET THUNDER BAY, ON P7E 3P-2 CANADA TEL: 807-474-5337 FAX: 807-423-5692 www.titanworldwide.com</small>		CAPACITY: 250 PSI		WEIGHT: 29.844 lbmass	
		SHEET: A SHEET: 1 OF 1 FILENAME: TRP4.00MP3LU14X6.00.idw		TITLE: TRP4.00MP3LU14X6.00	
DRAWING No:				REVISION:	

1

2

DATE	INTL	DESCRIPTION	REV