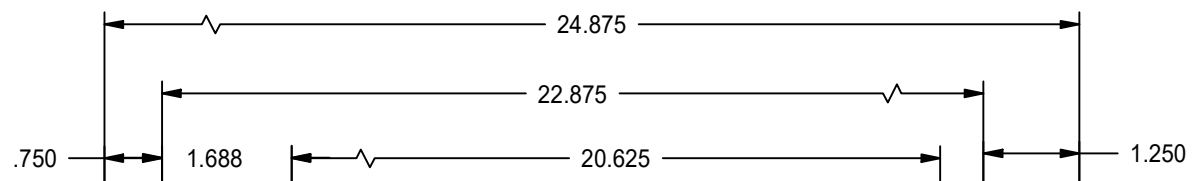
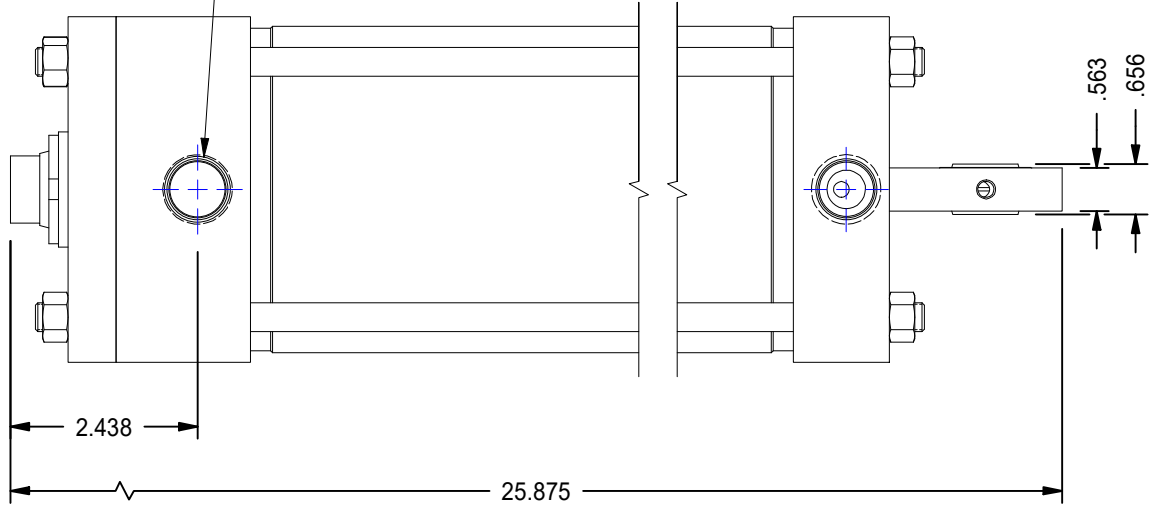


1

2

2X 1/2 NPT PORTS



3/4-16 UNF - 2B

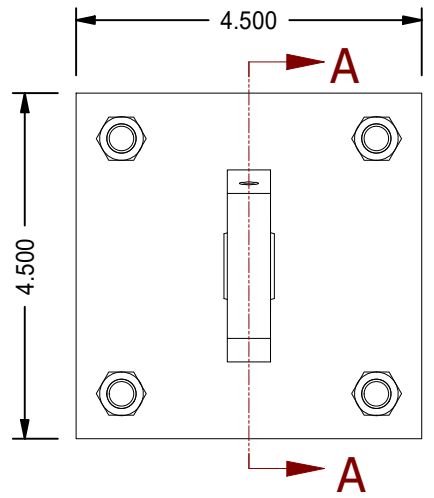
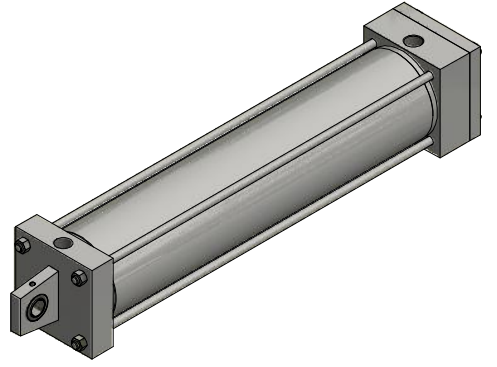
1.125
THREADS


Ø1.000 Ø4.000

SECTION A-A

Ø.750

STROKE: 18.000



MODEL NUMBER:		PROJECT/CUSTOMER INFO:		DSGND:	DATE: 2013-03-07
 TITAN WORLDWIDE INC. <small>31 Year ISO 9001</small> <small>Clear title or graphic in case of power. One that stands out for greatest of effectiveness!</small> <small>PHONE: 807-474-5337 FAX: 807-623-5692 EMAIL: info@titanworldwide.com WEB: www.titanworldwide.com</small>		CAPACITY: 250 PSI		SHEET: A SHEET: 1 OF 1 FILENAME: TRP4.00MP5LU14X18.00.idw	
		WEIGHT: 39.074 lbmass		TITLE: TRP4.00MP5LU14X18.00	
701 MONTREAL STREET THUNDER BAY, ON P7E 3P-2 CANADA TEL: 807-474-5337 FAX: 807-623-5692 www.titanworldwide.com				DRAWING No:	
				REVISION:	

DATE	INTL	DESCRIPTION	REV

1

2