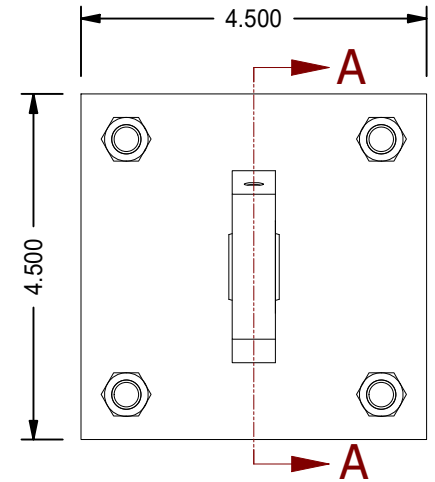
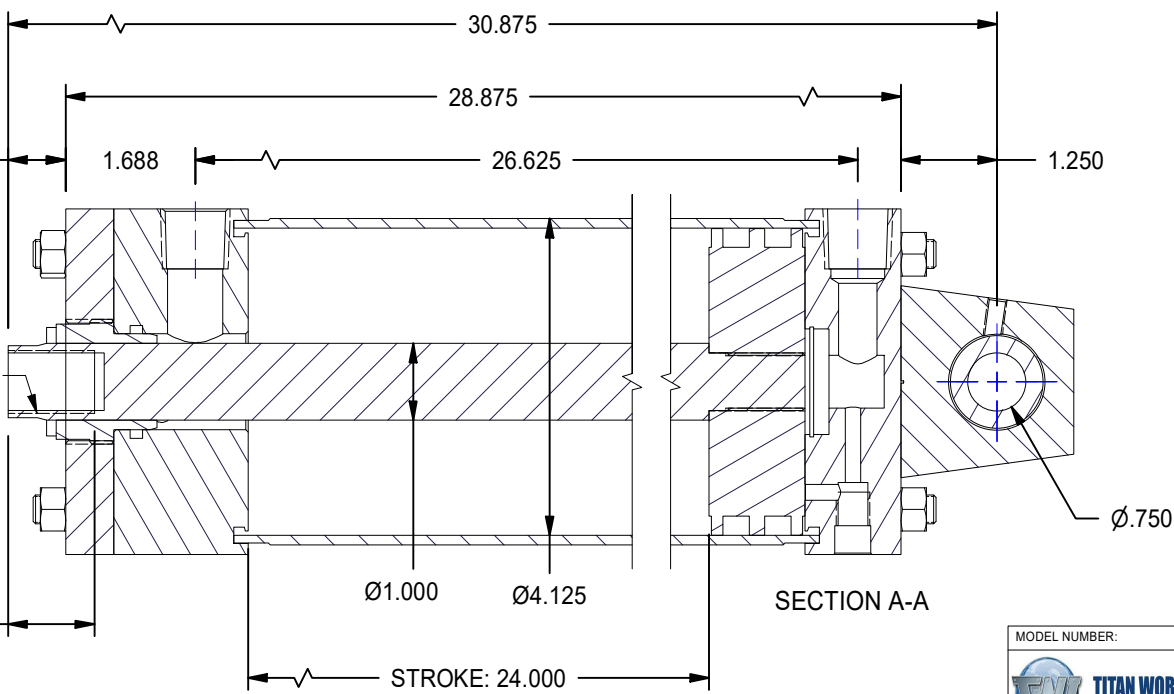
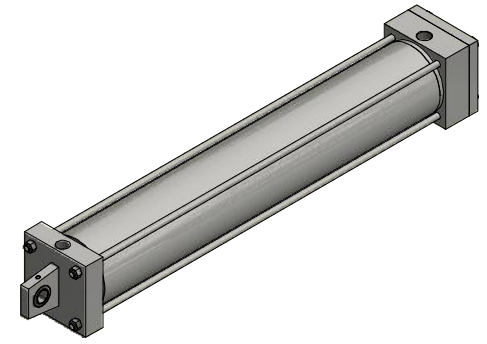
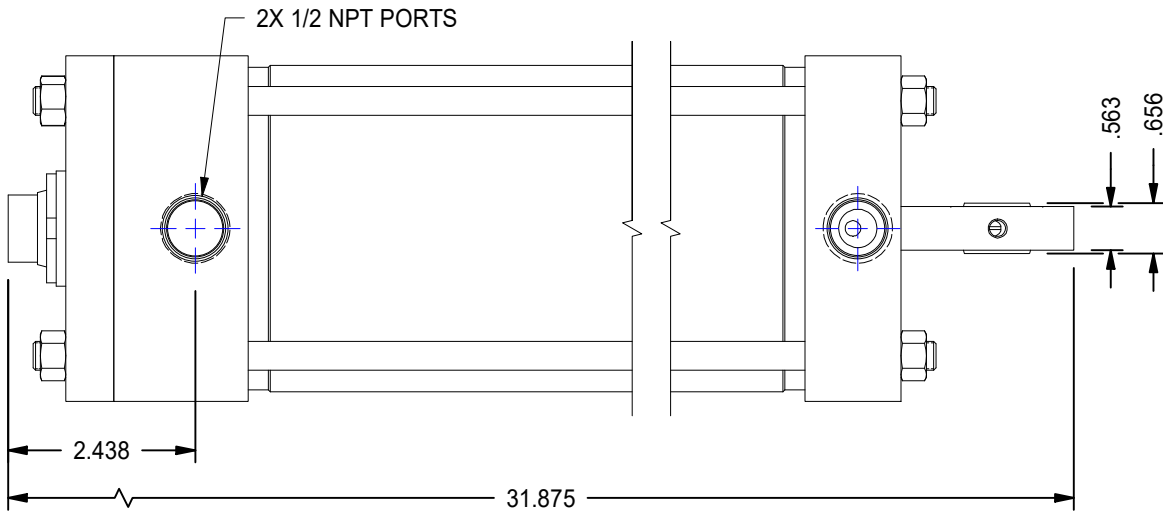


1

2




A

A

B

B

MODEL NUMBER:		PROJECT/CUSTOMER INFO:		DSGND:	DATE: 2013-03-07
 TITAN WORLDWIDE INC. <small>75 ton 5000 LBS. Clear fluid or glycerin, in case of power. One that stands out for greatness of achievement!</small>		CAPACITY		250 PSI	
		WEIGHT:		43.919 lbmass	
SHEET SIZE: A	SHEET: 1 OF 1	FILENAME:	TRP4.00MP5LU14X24.00.idw		
TITLE:		TRP4.00MP5LU14X24.00			
DRAWING No:					REVISION:

1

2

DATE	INTL	DESCRIPTION	REV