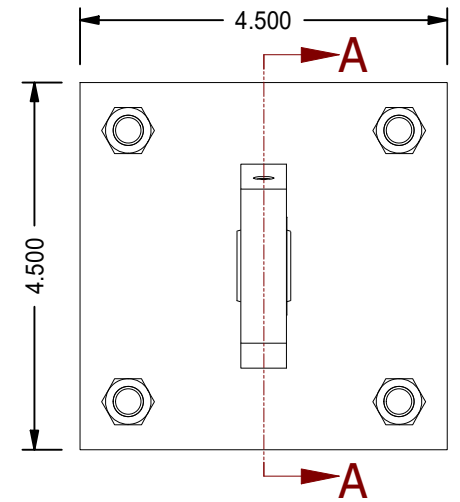
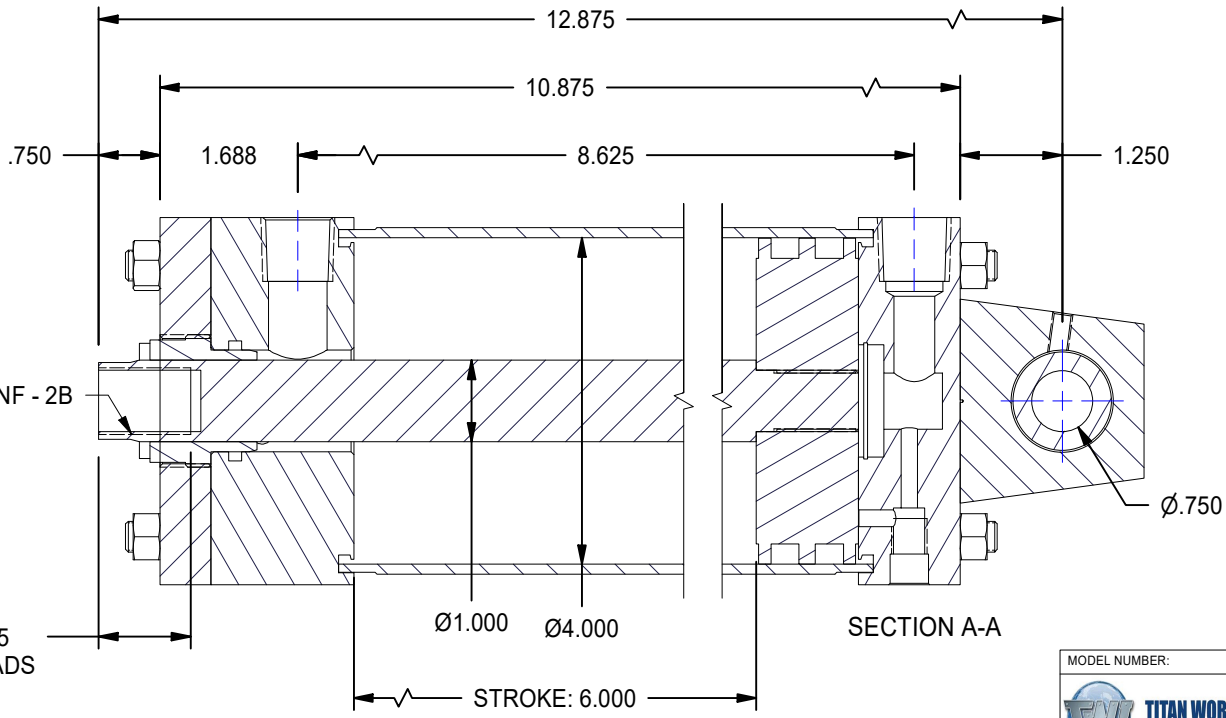
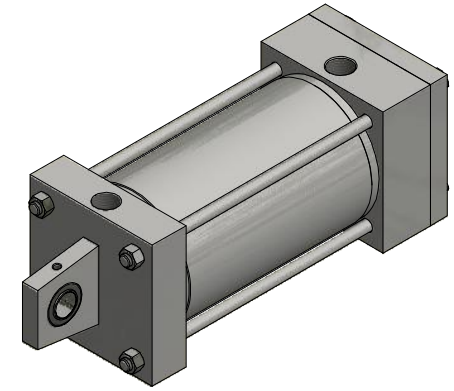
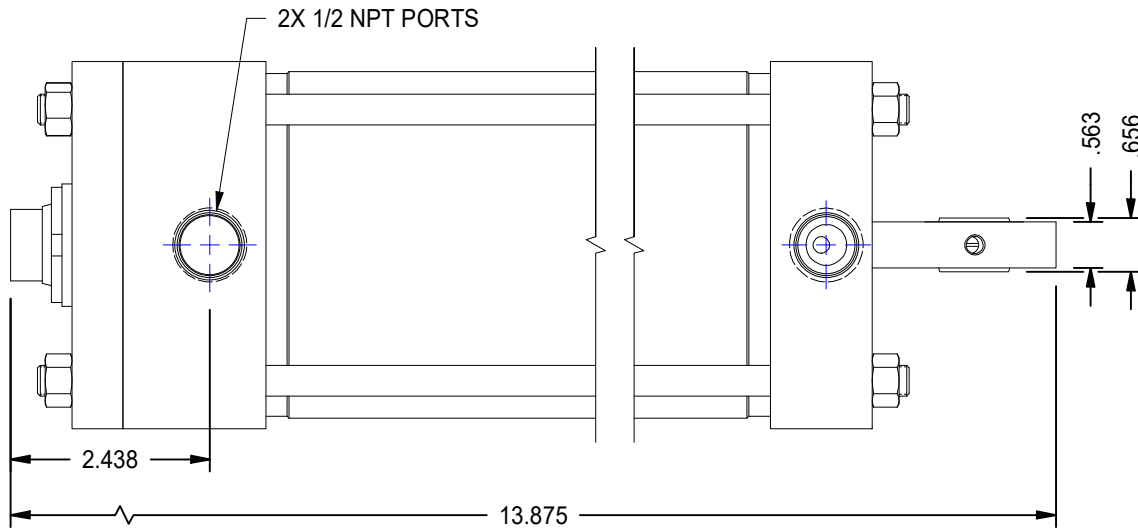



1

2



MODEL NUMBER:		PROJECT/CUSTOMER INFO:		DSGND:	DATE: 2013-03-07
 <b>TITAN WORLDWIDE INC.</b> <small>31 Year ISO 9001</small> <small>Clear fluid or hydraulic in case of power. One that stands out for greatness of achievement!</small> <small>PHONE: 807-474-5337 FAX: 807-623-5692 EMAIL: info@titanworldwide.com WEB: www.titanworldwide.com</small>		CAPACITY: 250 PSI		SHEET SIZE: A SHEET: 1 OF 1 FILENAME: TRP4.00MP5LU14X6.00.idw	
		WEIGHT: 29.385 lbmass		TITLE: TRP4.00MP5LU14X6.00	
DRAWING No:				REVISION:	

DATE	INTL	DESCRIPTION	REV

1

2

A

A

B

B