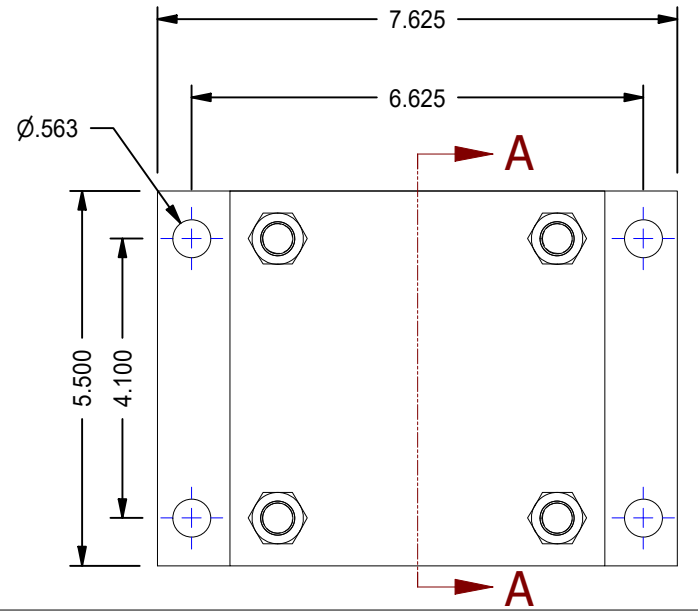
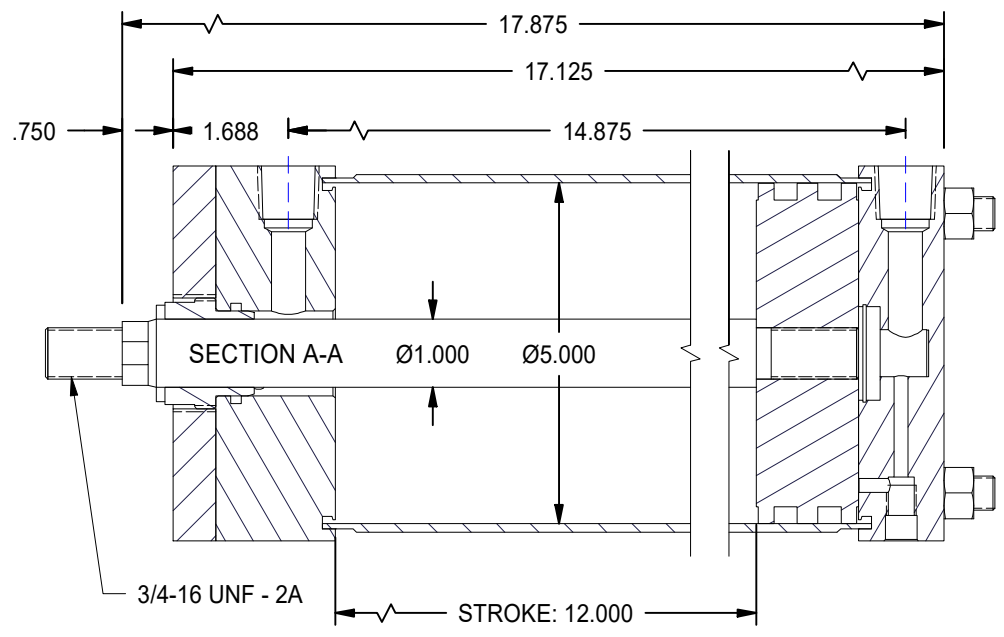
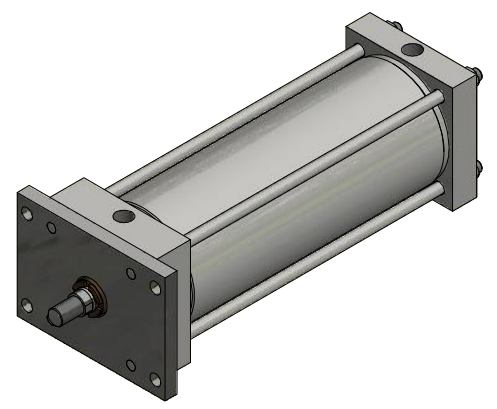
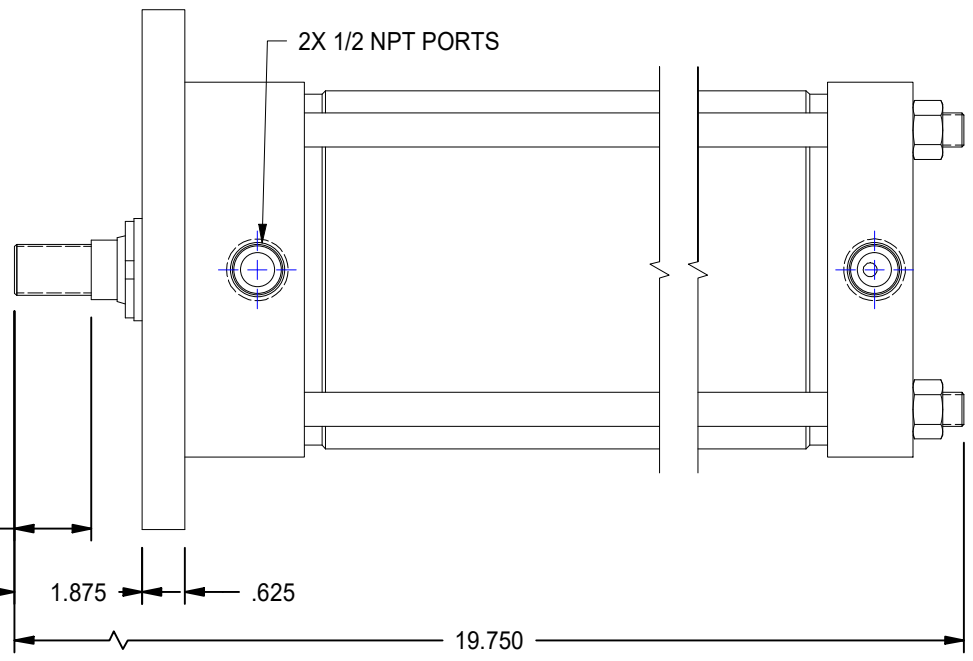


1

2



A

A

B

B

1

2

DATE	INTL	DESCRIPTION	REV

MODEL NUMBER:

PROJECT/CUSTOMER INFO:

DSGND: DATE: 2013-03-07

CAPACITY: 3000 PSI

WEIGHT: 52.436 lbmass

SHEET SIZE: A SHEET: 1 OF 1 FILENAME: TRP5.00MF1LU14X12.00.idw

TITLE: TRP5.00MF1LU14X12.00

DRAWING No: REVISION:

701 MONTREAL STREET
THUNDER BAY, ON
P7E 3P-2
CANADA
TEL: 807-474-5337
FAX: 807-623-5692
www.titanworldwide.com