

1

2

A

A

B

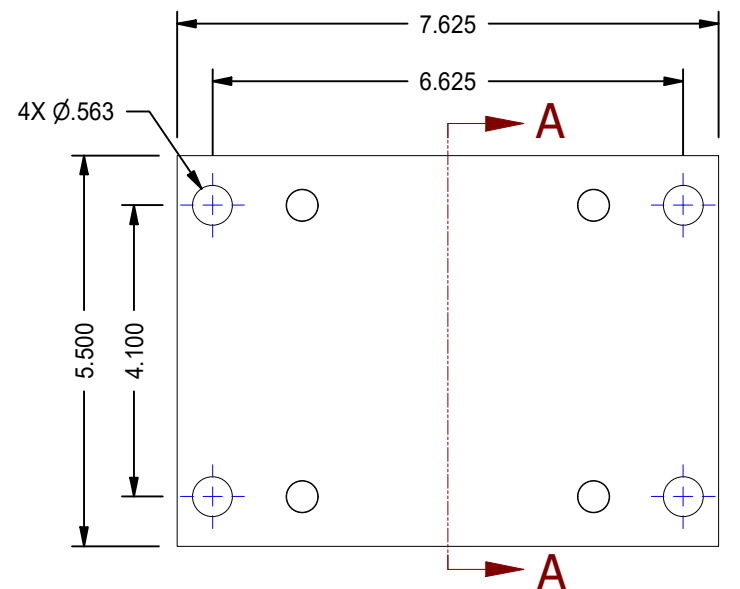
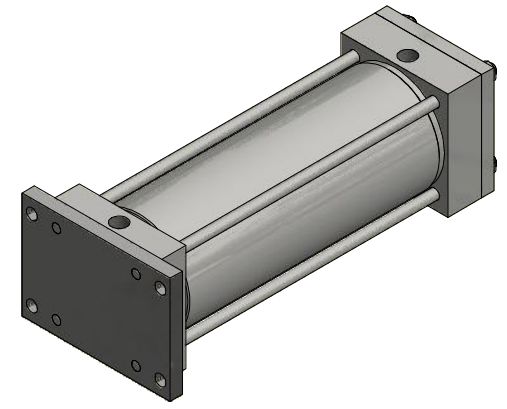
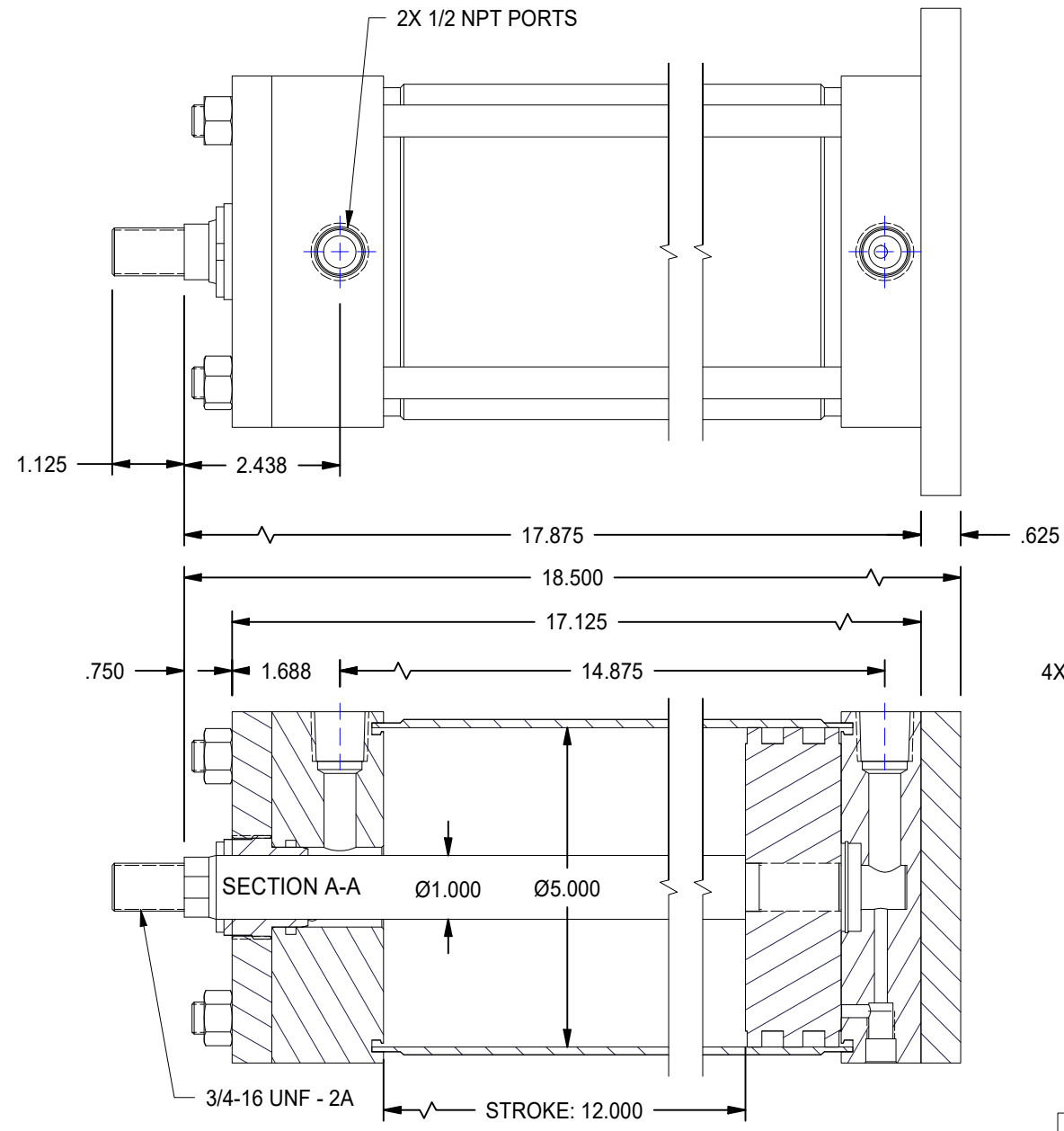
B


1

2



2X 1/2 NPT PORTS



MODEL NUMBER:		PROJECT/CUSTOMER INFO:		DSGND:	DATE: 2013-03-07
 <b>TITAN WORLDWIDE INC.</b> <small>71 rue 128e, Clear Lake or Republic, in state or power. One that stands out for greatness of achievement!</small> PHONE: 807-474-5337 FAX: 807-623-5692 EMAIL: info@titanworldwide.com WEB: www.titanworldwide.com		CAPACITY:	3000 PSI	FILENAME: TRP5.00MF2LU14X12.00.idw	
		WEIGHT:	57.790 lbmass	SHEET: A SHEET: 1 OF 1 TITLE: TRP5.00MF2LU14X12.00	
701 MONTREAL STREET THUNDER BAY, ON P7E 3P-2 CANADA TEL: 807-474-5337 FAX: 807-623-5692 www.titanworldwide.com				DRAWING No:	
					REVISION:

DATE	INTL	DESCRIPTION	REV