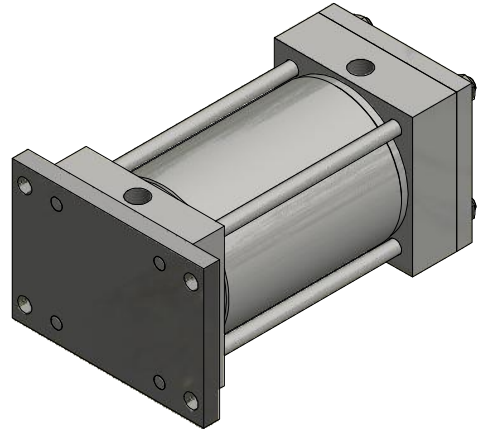
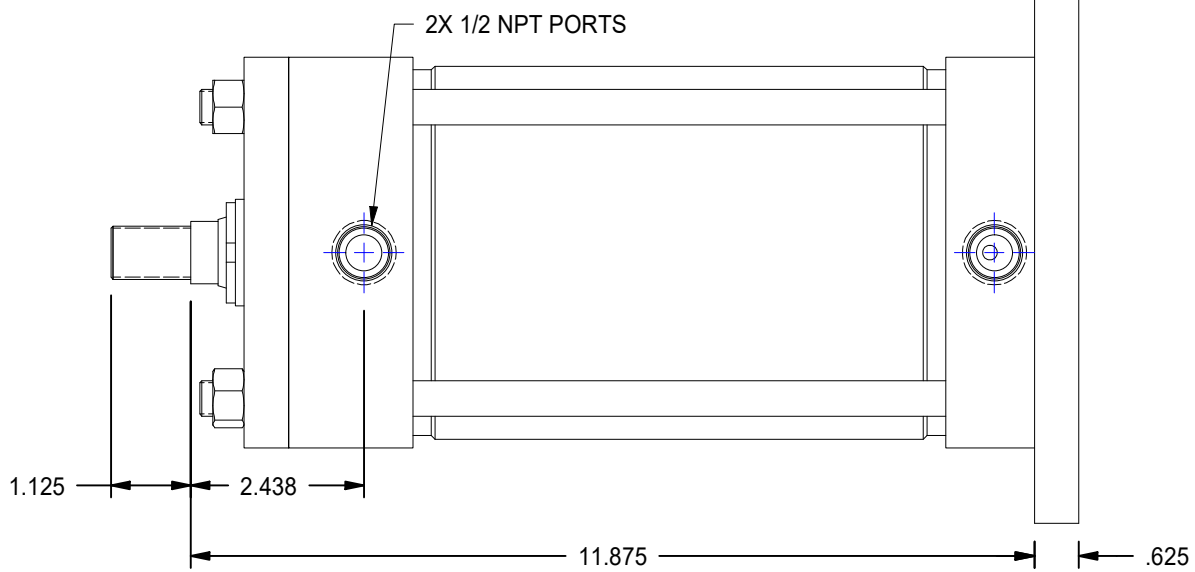


1

2

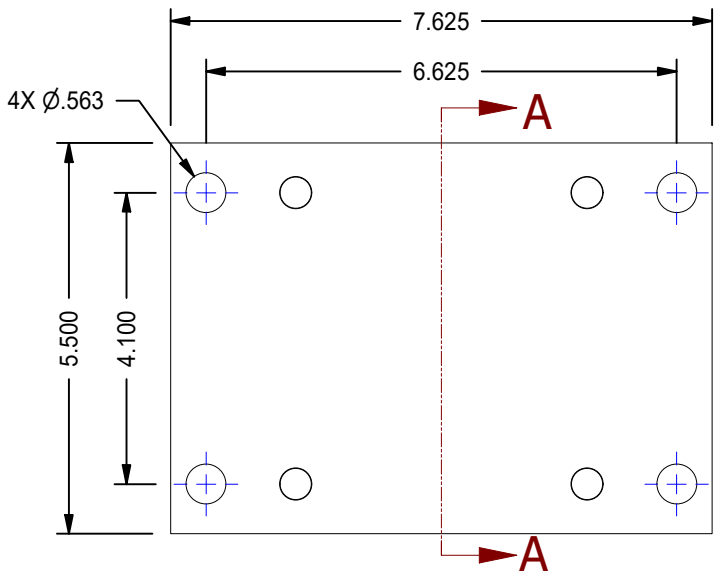
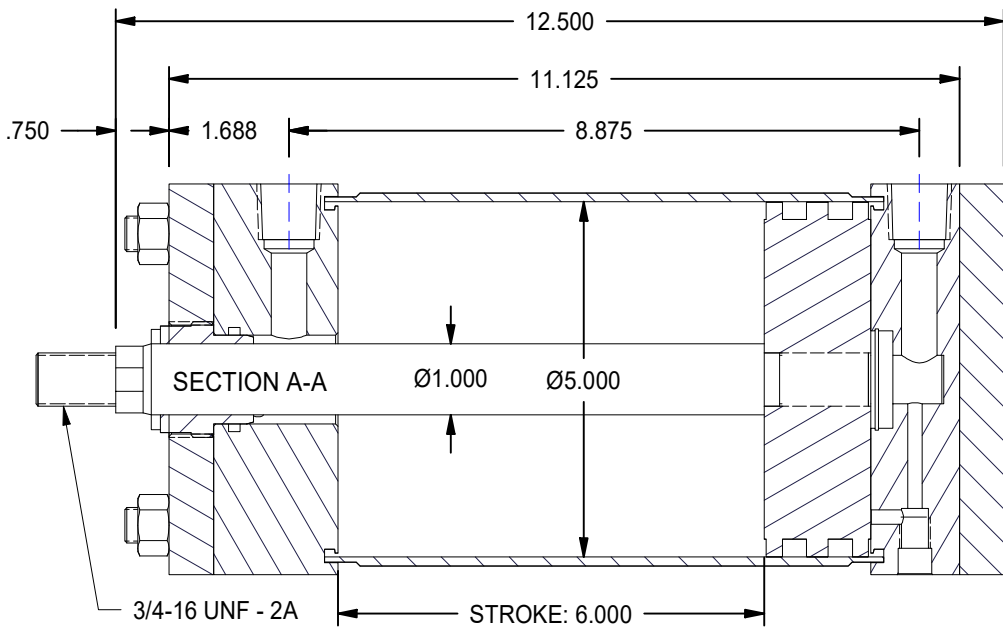
A

A




B

B



B

B

MODEL NUMBER:		PROJECT/CUSTOMER INFO:		DSGND:	DATE: 2013-03-07
 <b>TITAN WORLDWIDE INC.</b> <small>31 Year ISO 9001</small> <small>Clear that all products are made in power. One that stands out for greatness of achievement!</small> <small>PHONE: 807-474-5337 FAX: 807-623-5692 EMAIL: info@titanworldwide.com WEB: www.titanworldwide.com</small>		CAPACITY: 3000 PSI		WEIGHT: 51.648 lbmass	
		SHEET: A SHEET: 1 OF 1 FILENAME: TRP5.00MF2LU14X6.00.idw		TITLE: TRP5.00MF2LU14X6.00	
701 MONTREAL STREET THUNDER BAY, ON P7E 3P-2 CANADA TEL: 807-474-5337 FAX: 807-623-5692 www.titanworldwide.com				DRAWING No:	
				REVISION:	

1

2

DATE	INTL	DESCRIPTION	REV

1

2