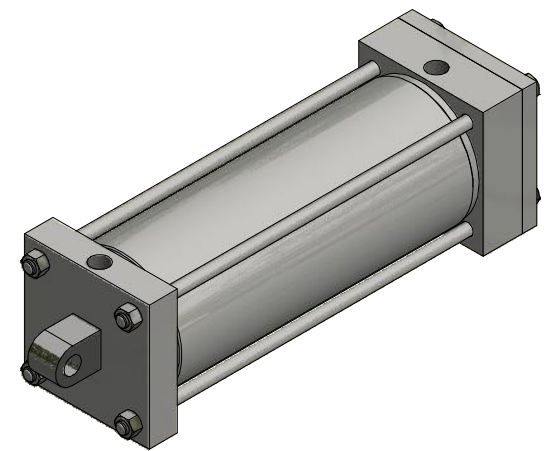
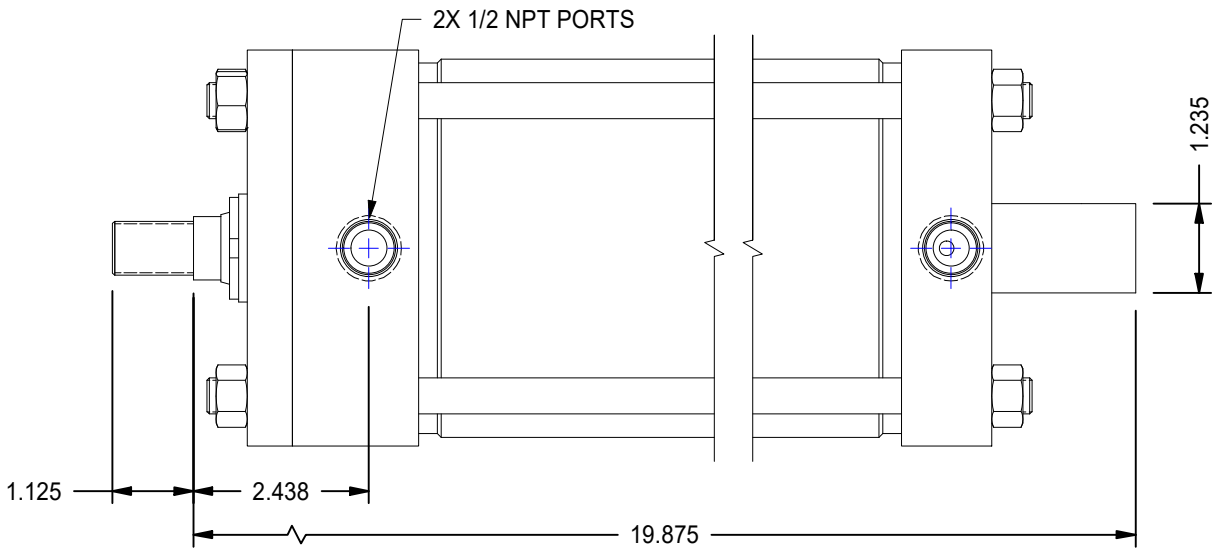


1

2

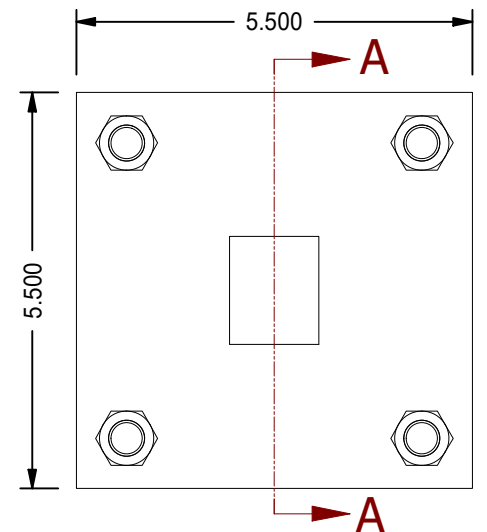
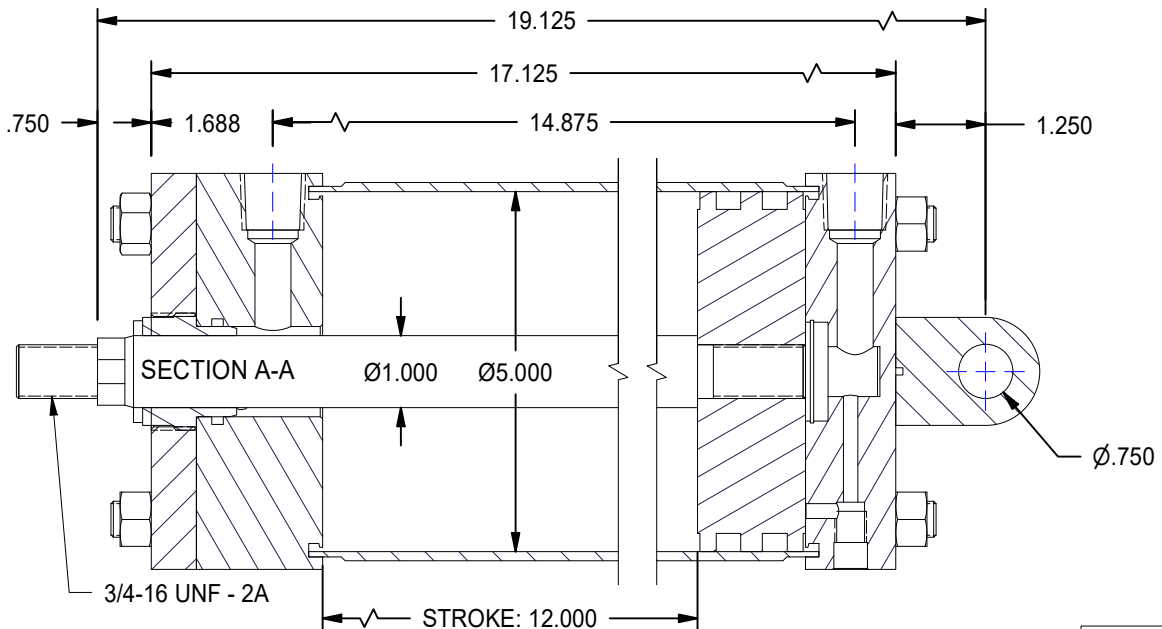
A


A



B

B



MODEL NUMBER:		PROJECT/CUSTOMER INFO:		DSGND:	DATE: 2013-03-07
 TITAN WORLDWIDE INC. <small>31 Year ISO 9001</small> <small>Clear Fall or Impact in case of power. One that stands out for greatness in achievement!</small> <small>PHONE: 807-474-5337 FAX: 807-623-5692 EMAIL: info@titanworldwide.com WEB: www.titanworldwide.com</small>		CAPACITY: 250 PSI		WEIGHT: 51.590 lbmass	
		SHEET: A SHEET: 1 OF 1 FILENAME: TRP5.00MP3LU14X12.00.idw		TITLE: TRP5.00MP3LU14X12.00	
DRAWING No:				REVISION:	

1

2

DATE	INTL	DESCRIPTION	REV