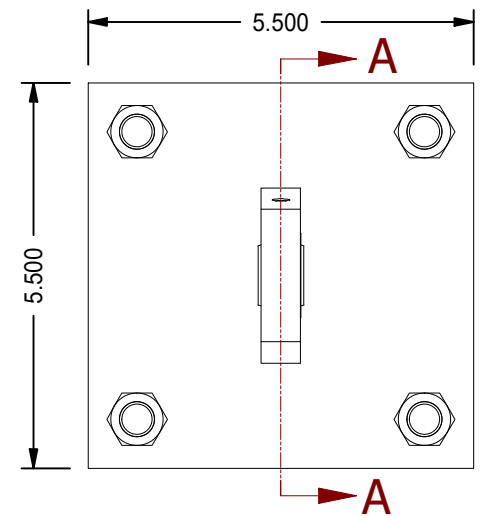
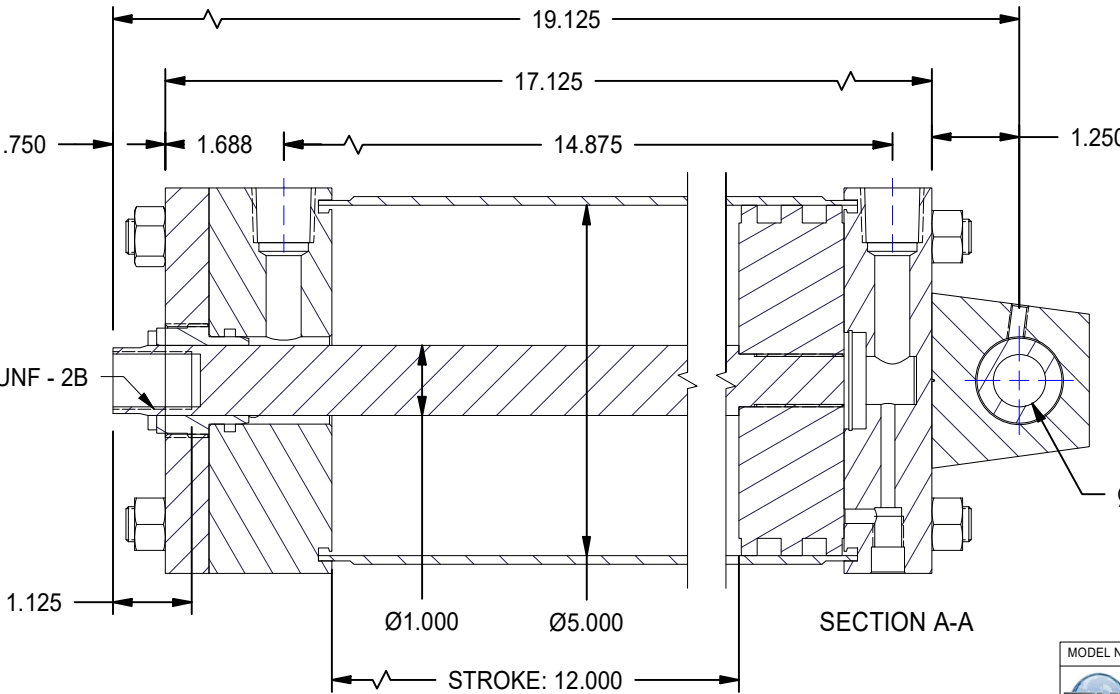
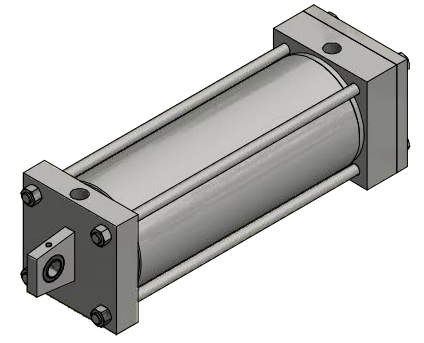
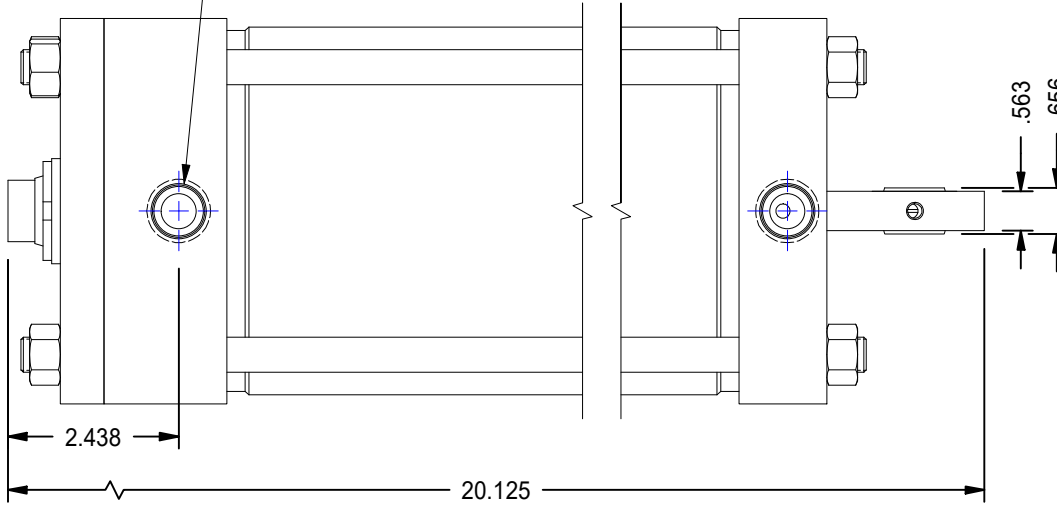



1

2

2X 1/2 NPT PORTS



MODEL NUMBER:		PROJECT/CUSTOMER INFO:		DSGND:	DATE: 2013-03-07
 <b>TITAN WORLDWIDE INC.</b> <small>71 rue 5000,          Case Mail de Québec, en face de Power, One that stands out for          greatness of achievement</small>		CAPACITY: 250 PSI		WEIGHT: 51.189 lbmass	
		SHEET: A SHEET: 1 OF 1 FILENAME: TRP5.00MP5LU14X12.00.idw		TITLE: TRP5.00MP5LU14X12.00	
701 MONTREAL STREET THUNDER BAY, ON P7E 3P-2 CANADA TEL: 807-474-5337 FAX: 807-423-5692 www.titanworldwide.com				DRAWING No:	
					REVISION:

DATE	INTL	DESCRIPTION	REV

1

2