

1

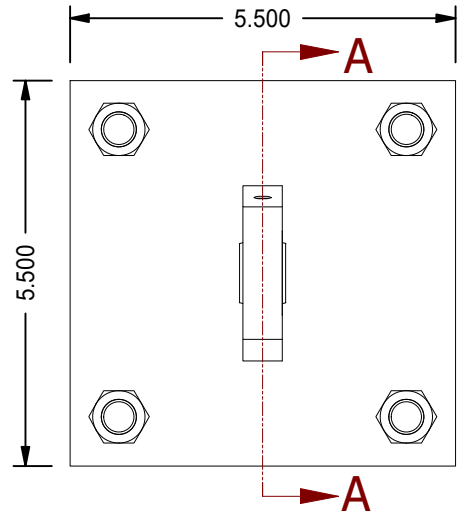
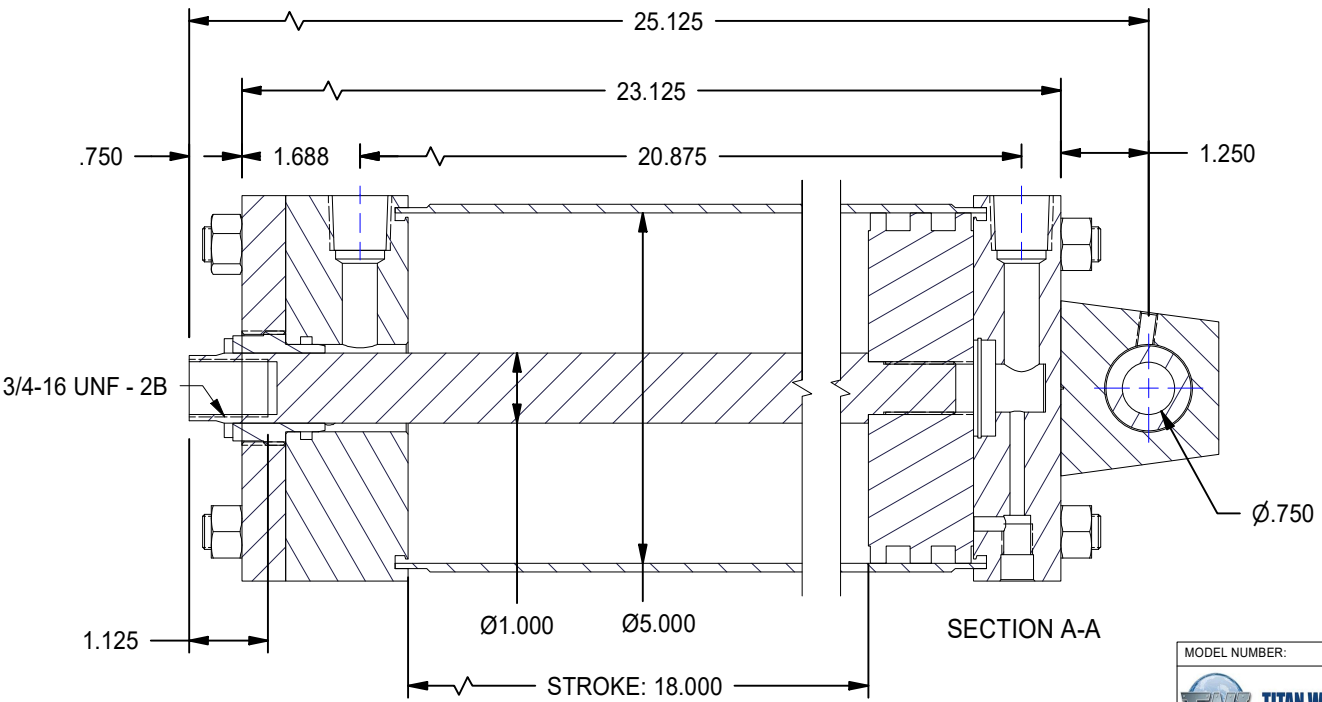
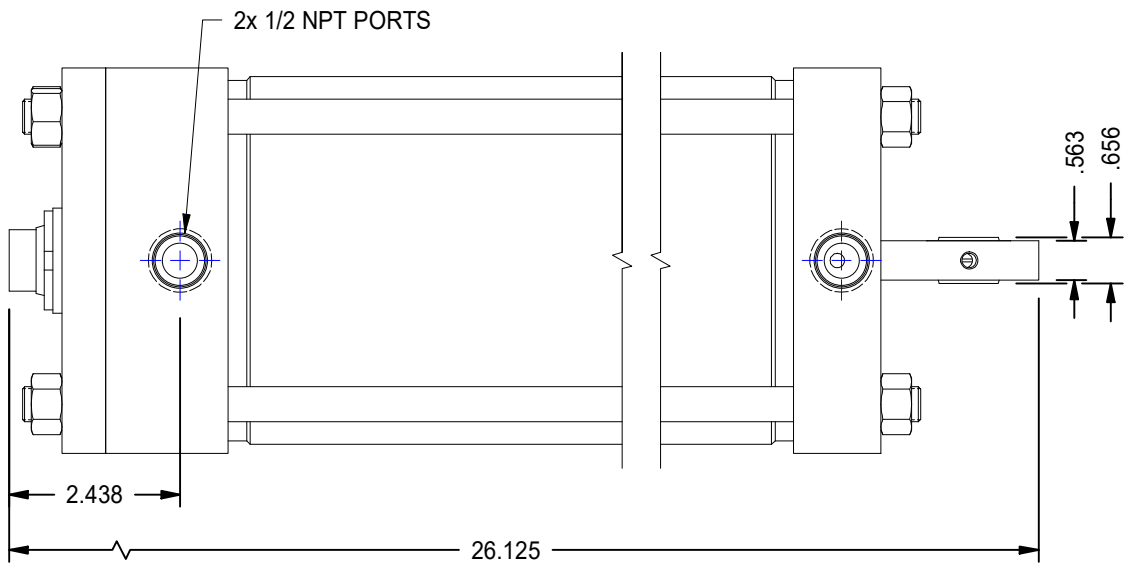
2


A

A

B

B



MODEL NUMBER:		PROJECT/CUSTOMER INFO:		DSGND:	DATE: 2013-03-07	
 TITAN WORLDWIDE INC. <small>75 Year History</small> <small>Clear Fall or liquid in case of power. One that stands out for greatness of achievement!</small>		CAPACITY: 250 PSI		WEIGHT: 57.162 lbmass		
		SHEET: A		SHEET: 1 OF 1		FILENAME: TRP5.00MP5LU14X18.00.idw
701 MONTREAL STREET THUNDER BAY, ON P7E 3P-2 CANADA TEL: 807-474-5337 FAX: 807-423-5692 www.titanworldwide.com		TITLE: TRP5.00MP5LU14X18.00				REVISION:
DRAWING No:						

DATE	INTL	DESCRIPTION	REV

1

2

