

1

2

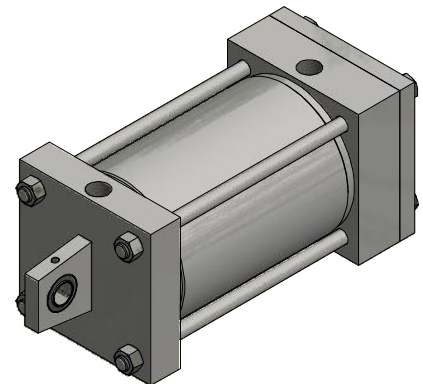
2X 1/2 NPT PORTS

.563

.656

2.438

14.125



13.125

11.125

.750

1.688

8.875

1.250

3/4-16 UNF - 2B

Ø.750

5.500

5.500

1.125


THREADS

Ø1.000

Ø5.000

SECTION A-A

STROKE: 6.000

MODEL NUMBER:		PROJECT/CUSTOMER INFO:		DSGND:	DATE: 2013-03-07
 <b>TITAN WORLDWIDE INC.</b> <small>75 ton 5000 LBS.          Clear fluid or glycolic in case of power. One that stands out for greatness of achievement!</small>		CAPACITY: 250 PSI		SHEET SIZE: A	
		WEIGHT: 44.955 lbmass		SHEET: 1 OF 1	
701 MONTREAL STREET THUNDER BAY, ON P7E 3P-2 CANADA TEL: 807-474-5337 FAX: 807-623-5692 www.titanworldwide.com		FILENAME: TRP5.00MP5LU14X6.00.idw		TITLE: TRP5.00MP5LU14X6.00	
DRAWING No:				REVISION:	

1

2

DATE	INTL	DESCRIPTION	REV