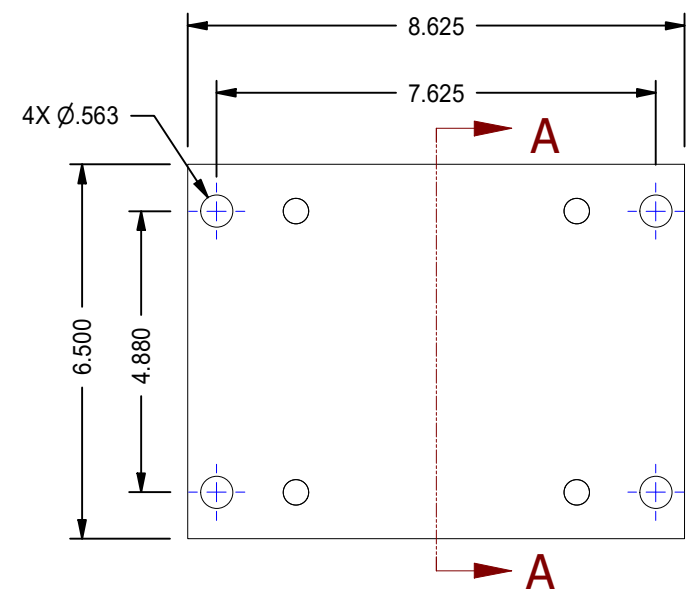
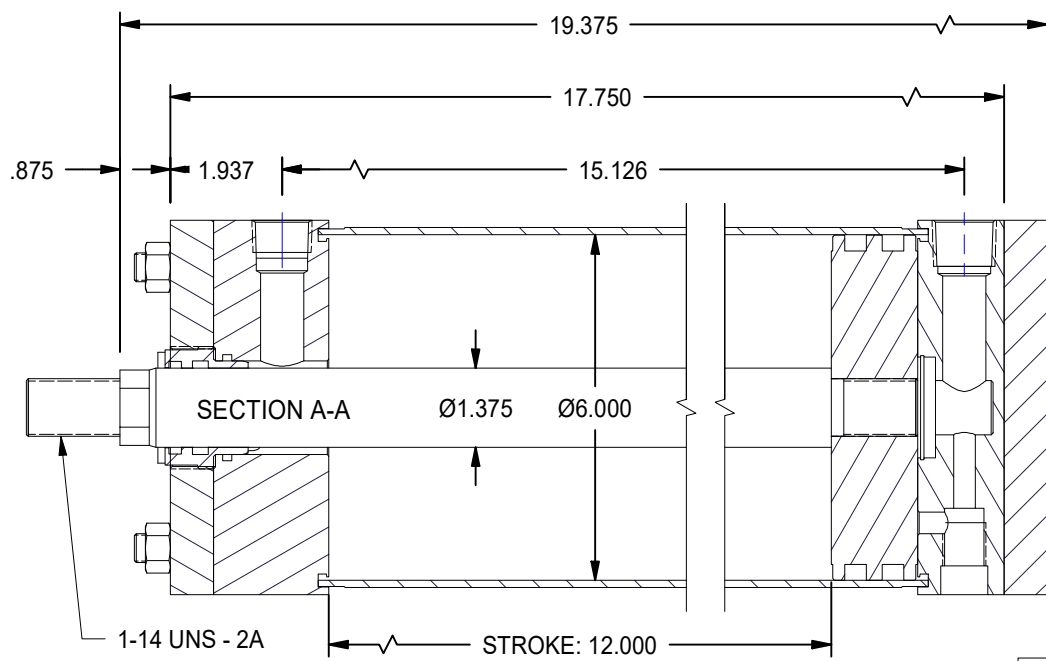
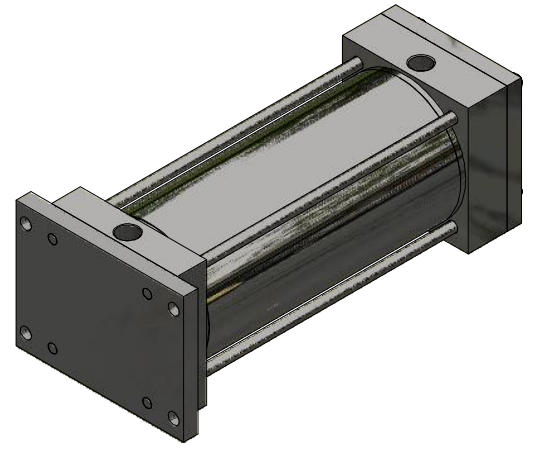
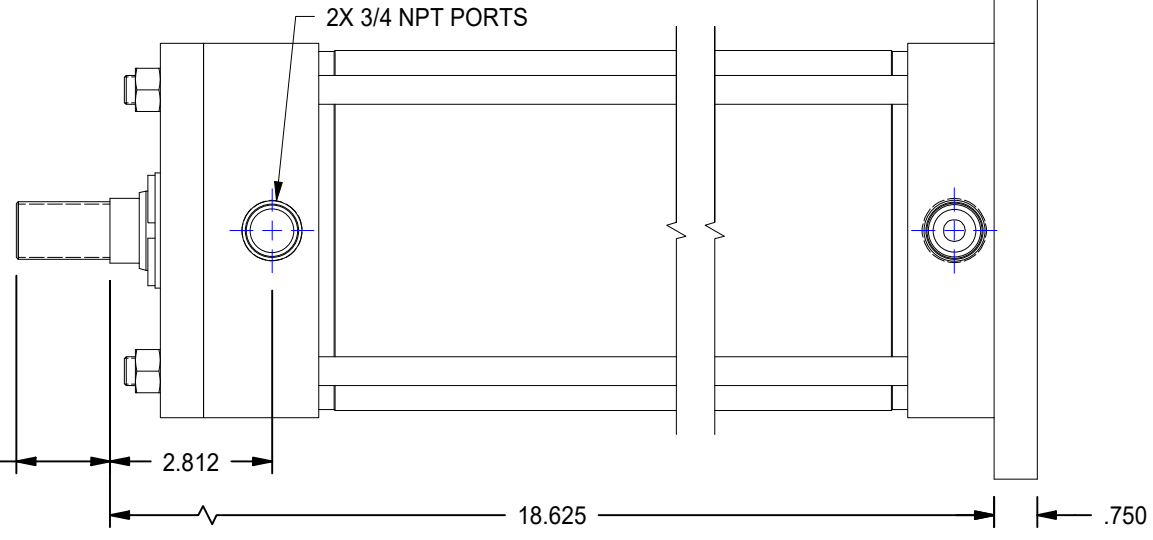



1

2



MODEL NUMBER:		PROJECT/CUSTOMER INFO:		DSGND:	DATE: 2013-03-07
 <b>TITAN WORLDWIDE INC.</b> <small>71 Sun Drive, Clear Lake, CA 94505, USA Clear Lake is located in state of power. One that stands out for greatness of achievement!</small>		CAPACITY		250 PSI	
		WEIGHT:		87.609 lbmass	
SHEET SIZE: A	SHEET: 1 OF 1	FILENAME:	TRP6.00MF2LU14X12.00.idw		
TITLE: TRP6.00MF2LU14X12.00					
DRAWING No:					REVISION:

DATE	INTL	DESCRIPTION	REV

1

2