

1

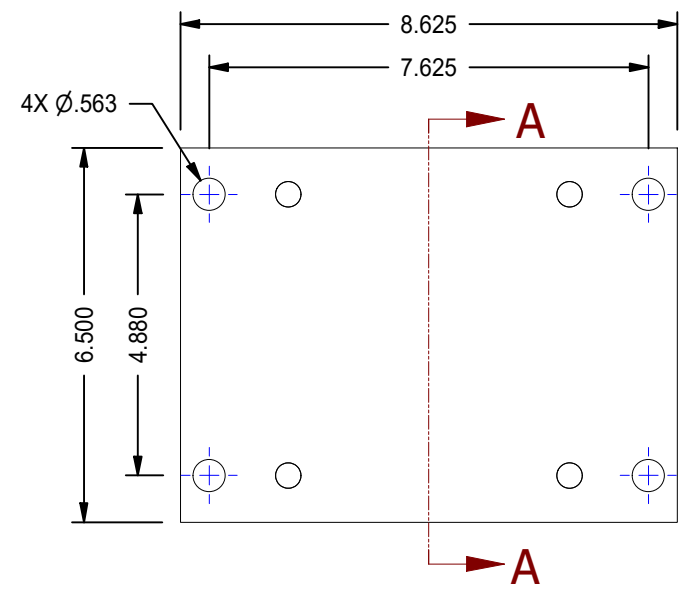
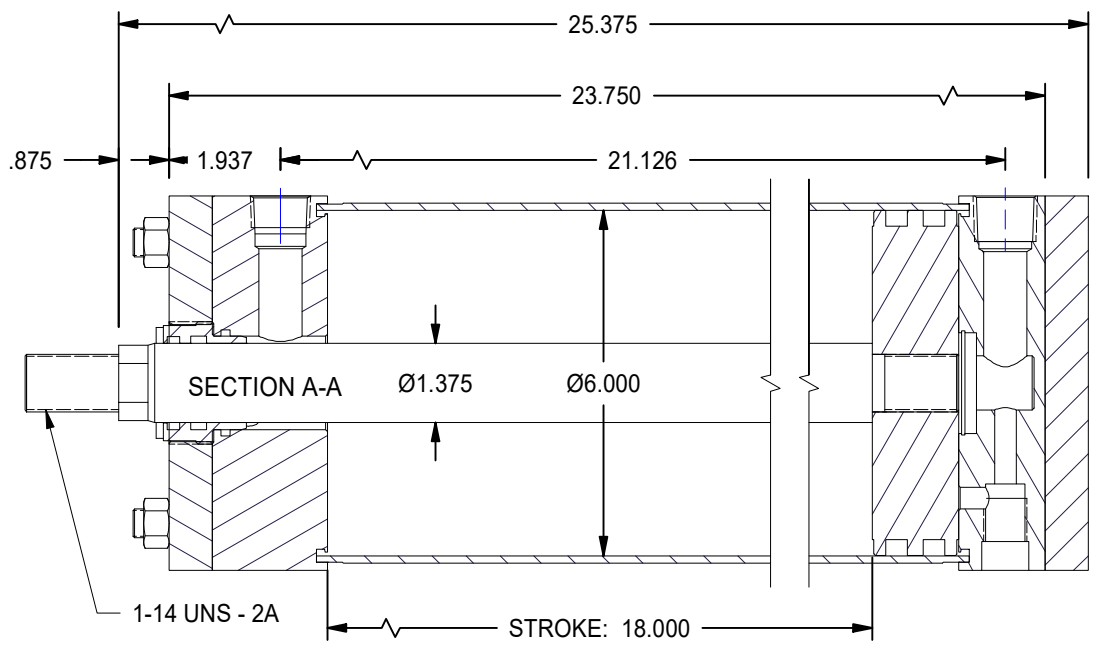
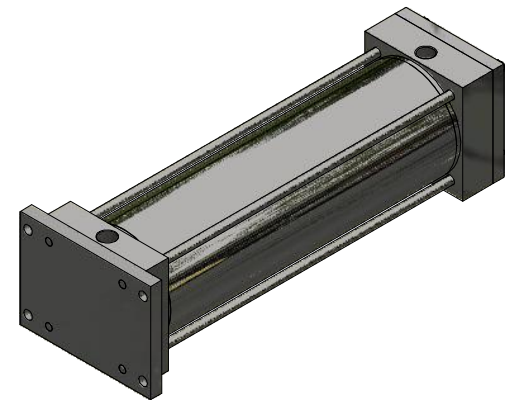
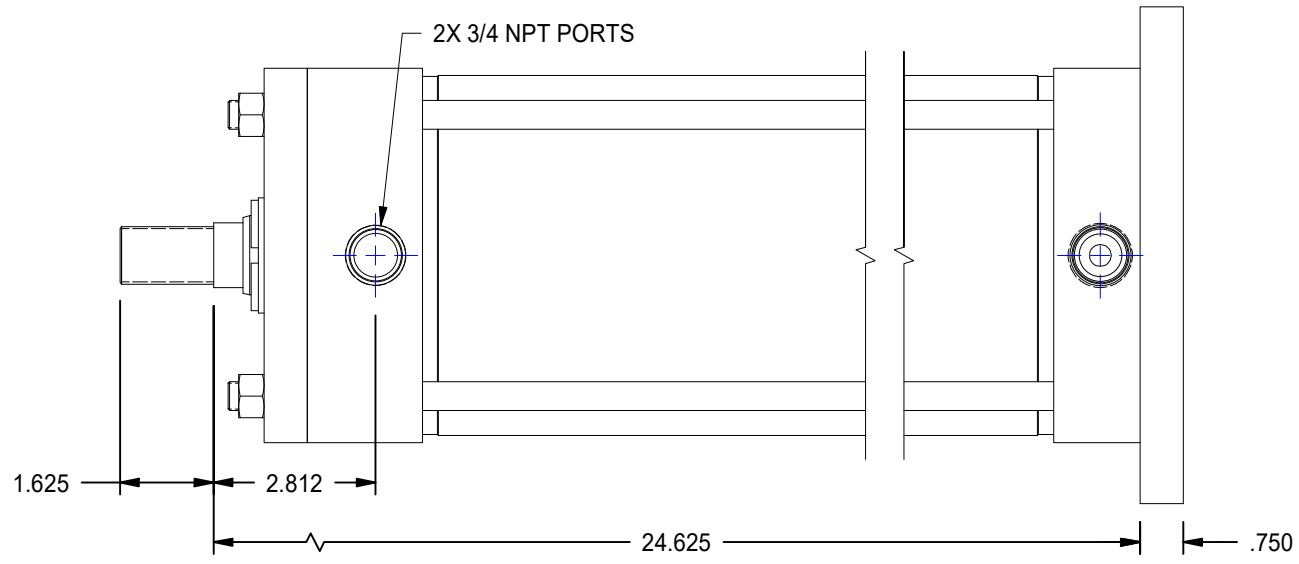
2


A

A

B

B



MODEL NUMBER:		PROJECT/CUSTOMER INFO:		DSGND:	DATE: 2013-03-07	
 TITAN WORLDWIDE INC. <small>71 rue 1875 Clear Fall or please to date or power. One that stands out for greatness of achievement</small>		CAPACITY: 250 PSI		WEIGHT: 95.735 lbmass		
		SHEET: A SHEET: 1 OF 1 FILENAME: TRP6.00MF2LU14X18.00.idw		TITLE: TRP6.00MF2LU14X18.00		
701 MONTREAL STREET THUNDER BAY, ON P7E 3P-2 CANADA TEL: 807-474-5337 FAX: 807-423-5692 www.titanworldwide.com				DRAWING No:		REVISION:

DATE	INTL	DESCRIPTION	REV

1

2

1