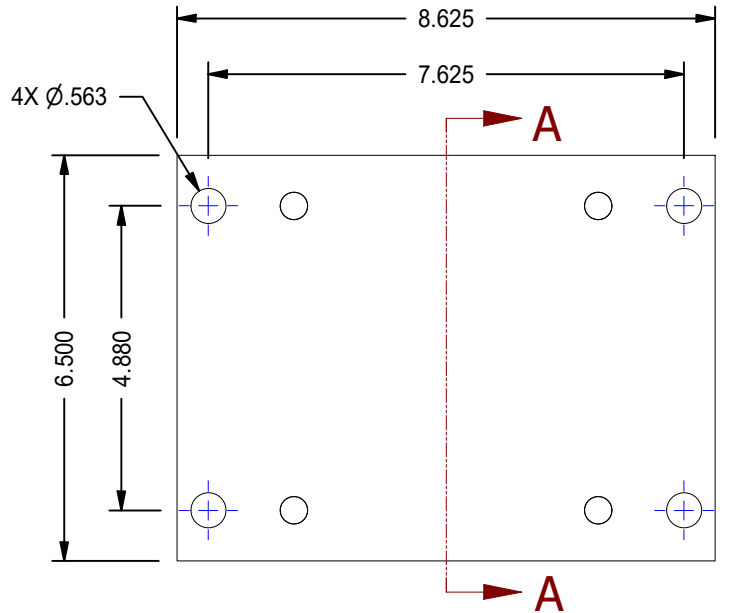
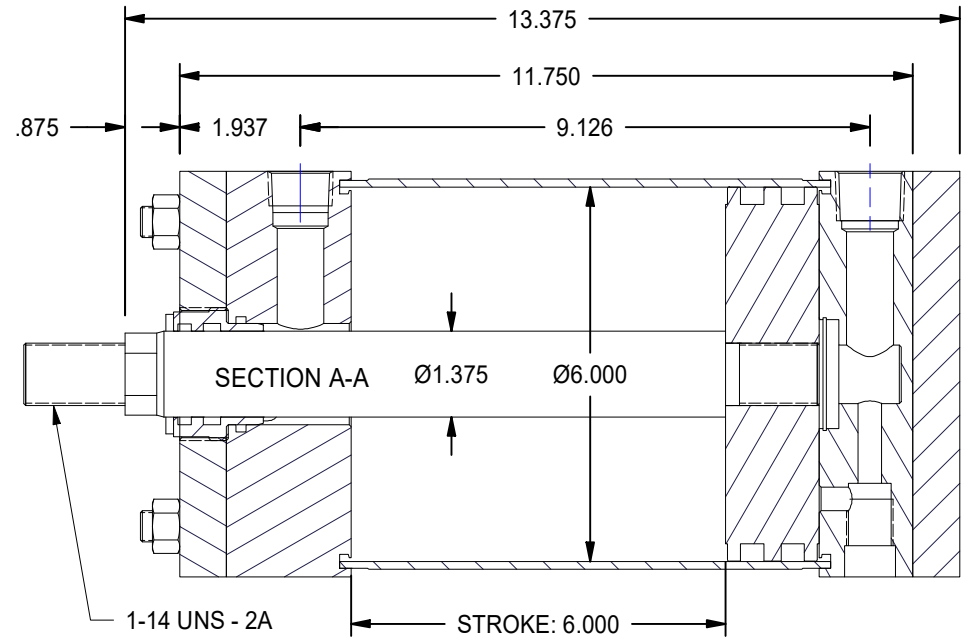
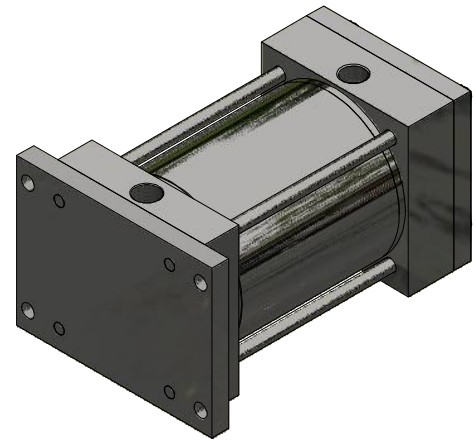
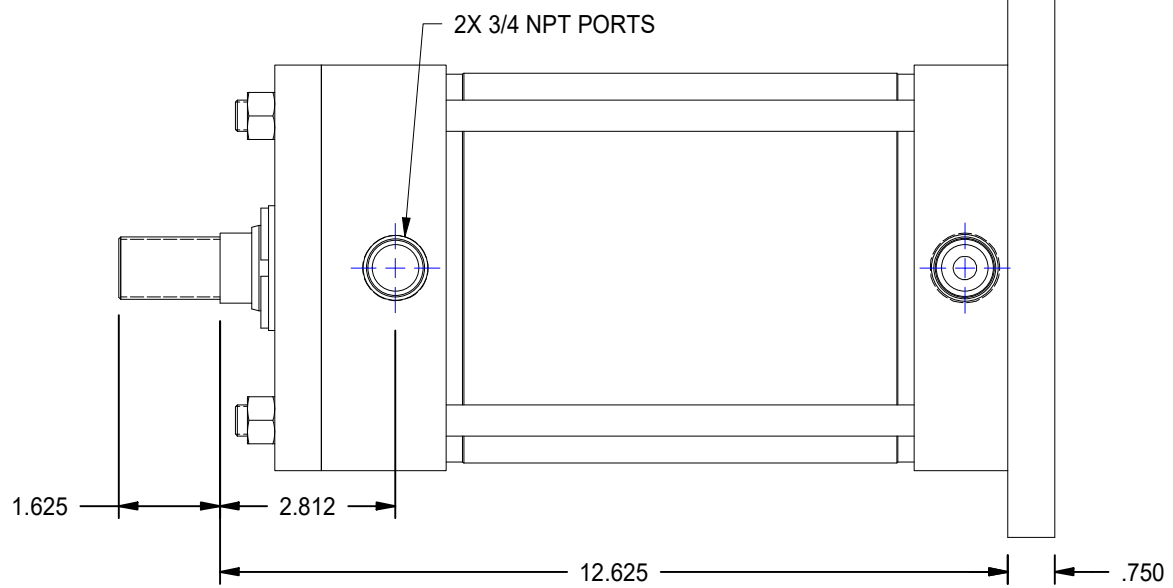


1

2

A

A




B

B

1

2

DATE	INTL	DESCRIPTION	REV

MODEL NUMBER:		PROJECT/CUSTOMER INFO:		DSGND:	DATE: 2013-03-07
 TITAN WORLDWIDE INC. <small>75 ton 5000 LBS. Clear title or graphic in case of power. One that stands out for greatness of achievement!</small>		CAPACITY		250 PSI	
		WEIGHT:		79.646 lbmass	
SHEET SIZE:	A	SHEET:	1 OF 1	FILENAME:	TRP6.00MF2LU14X6.00.idw
TITLE:		TRP6.00MF2LU14X6.00			
DRAWING No:					REVISION:

701 MONTREAL STREET
THUNDER BAY, ON
P7E 3P-2
CANADA
TEL: 807-474-5337
FAX: 807-623-5692
www.titanworldwide.com