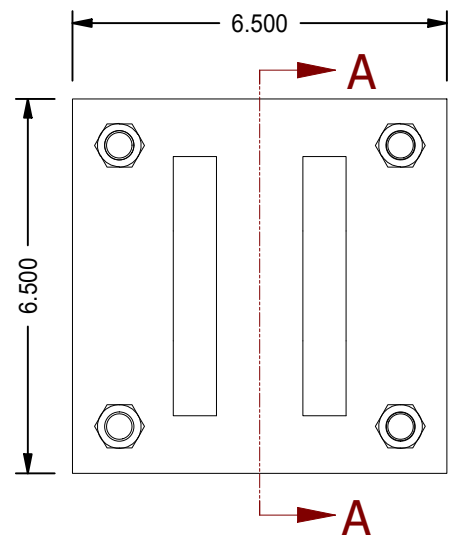
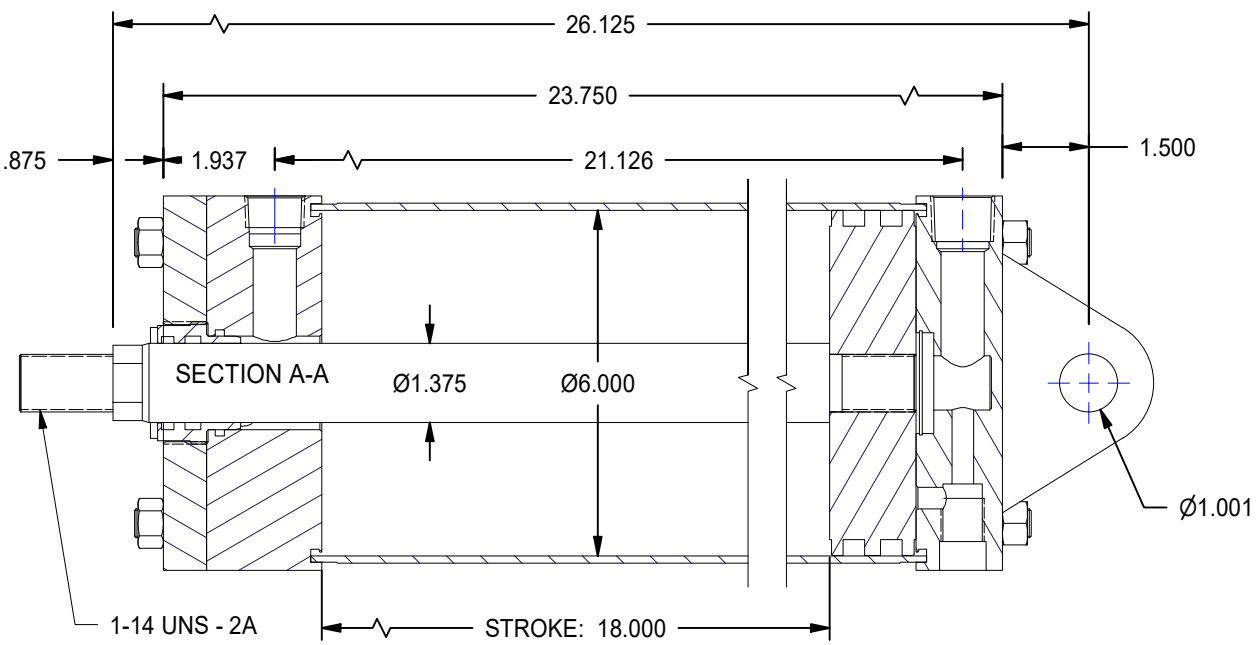
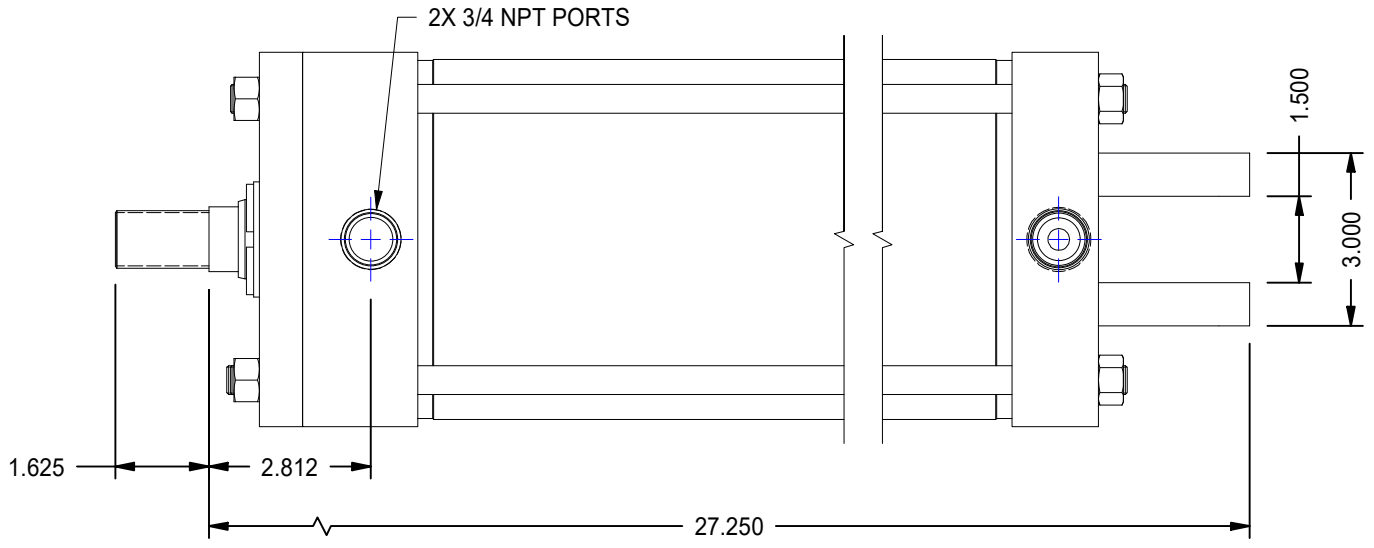


1

2

A

A




B

B

1

2

MODEL NUMBER:		PROJECT/CUSTOMER INFO:		DSGND:	DATE: 2013-03-07
 TITAN WORLDWIDE INC. <small>71 Sun Blvd. Clear Lake or Republic, in state or power. One that stands out for greatness of achievement!</small>		CAPACITY: 250 PSI		WEIGHT: 86.897 lbmass	
		SHEET: A SHEET: 1 OF 1 FILENAME: TRP6.00MP1LU14X18.00.idw		TITLE: TRP6.00MP1LU14X18.00	
701 MONTREAL STREET THUNDER BAY, ON P7E 3P-2 CANADA TEL: 807-474-5337 FAX: 807-623-5692 www.titanworldwide.com				DRAWING No:	
					REVISION:

DATE	INTL	DESCRIPTION	REV