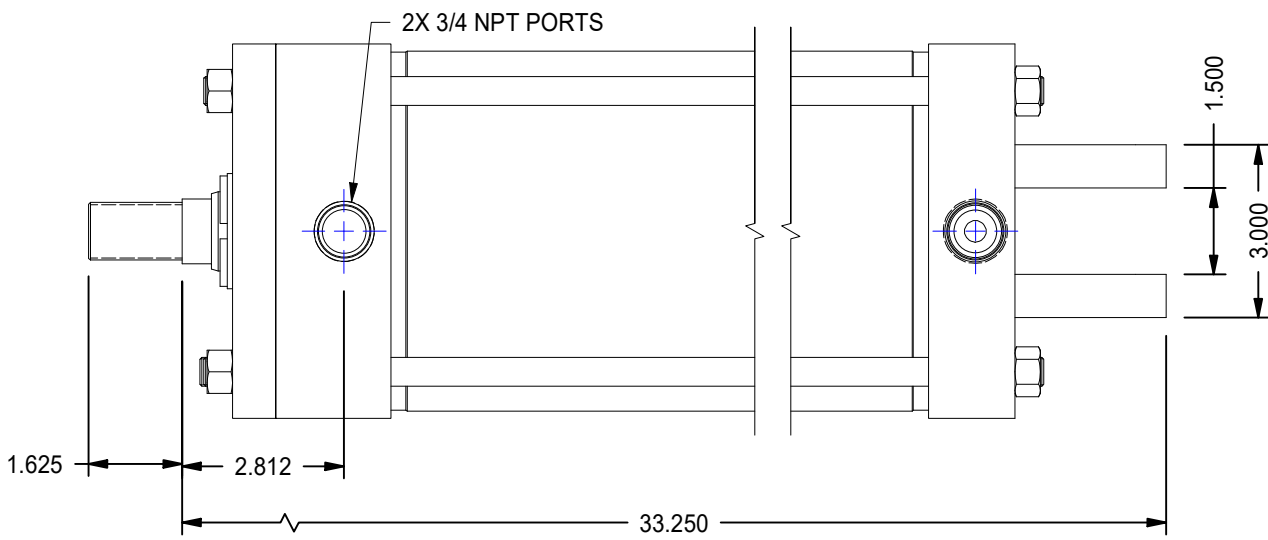


1

2

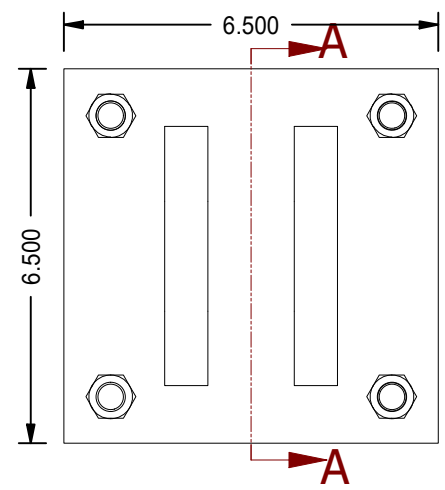
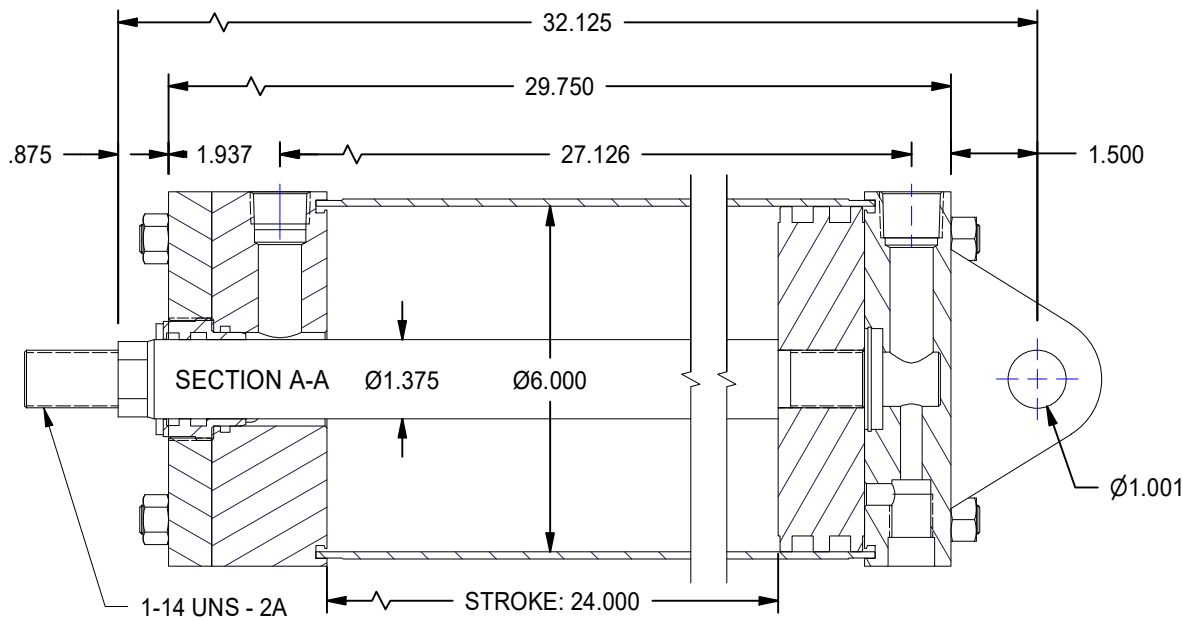
A


A



B

B



MODEL NUMBER:		PROJECT/CUSTOMER INFO:		DSGND:	DATE: 2013-03-07
 TITAN WORLDWIDE INC. <small>31 Year ISO 9001</small> <small>Clear Fall or objects in case of power. One that stands out for greatness of achievement</small>		CAPACITY		250 PSI	
		WEIGHT:		94.860 lbmass	
SHEET SIZE	A	SHEET 1 OF 1	FILENAME:	TRP6.00MP1LU14X24.00.idw	
TITLE:			TRP6.00MP1LU14X24.00		
DRAWING No:					REVISION:

1

2

DATE	INTL	DESCRIPTION	REV