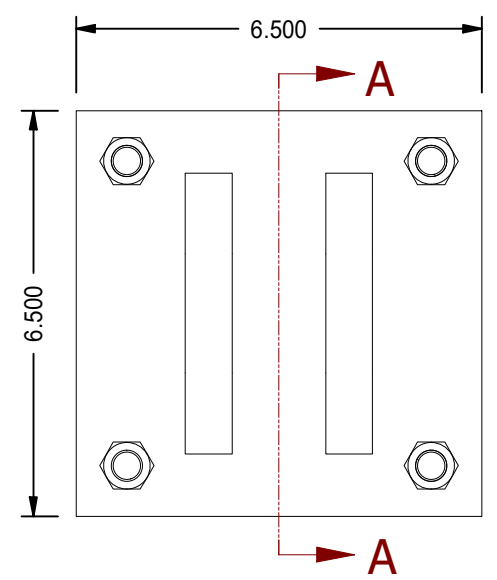
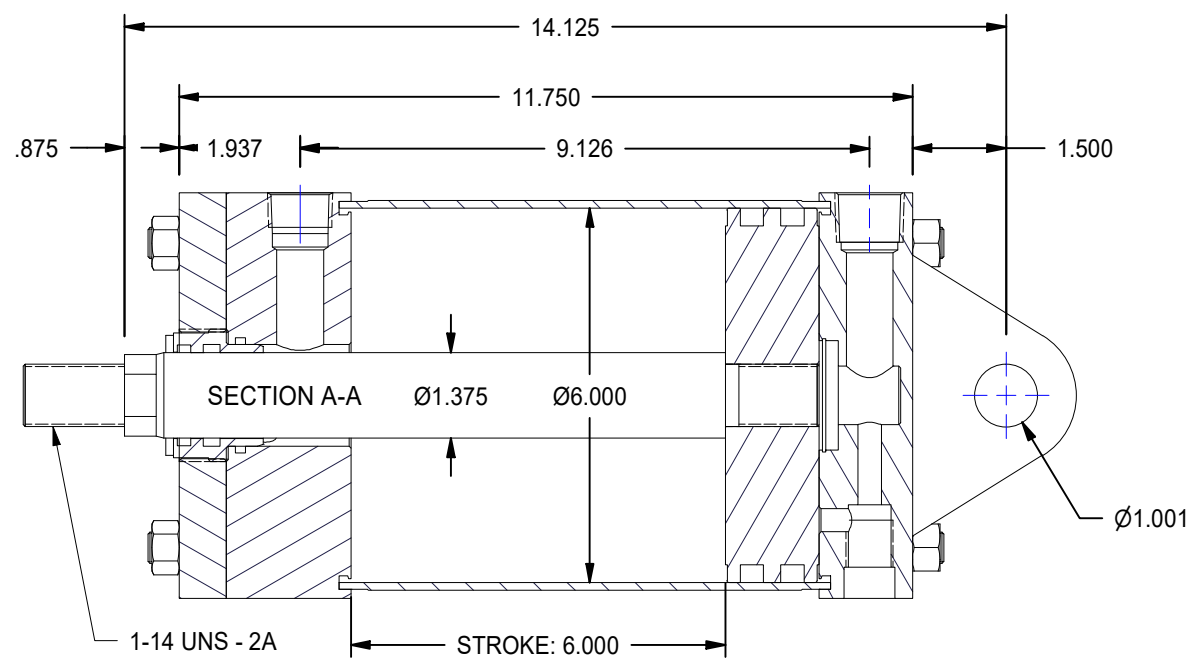
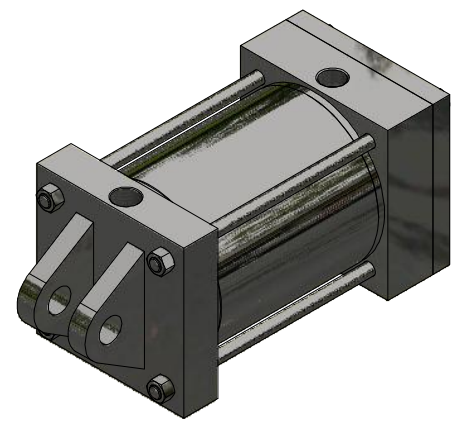
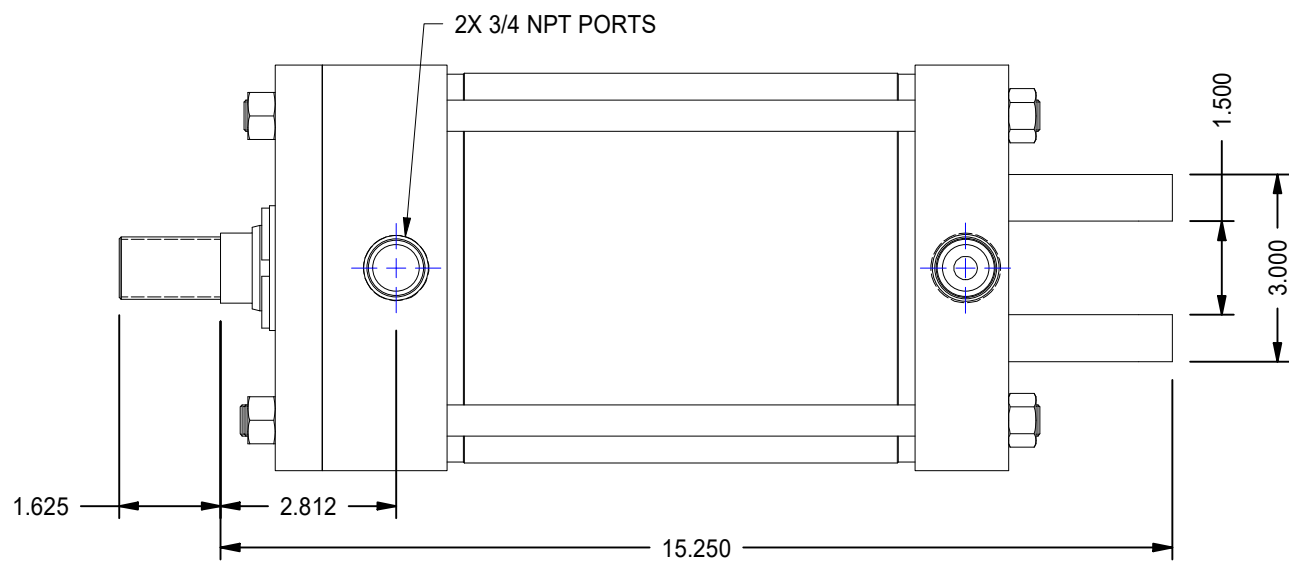


1

2

A

A



B

B

1

2

| DATE | INTL | DESCRIPTION | REV |
|------|------|-------------|-----|
| | | | |

MODEL NUMBER:

TITAN WORLDWIDE INC.
75 Year History
 Clear fluid or glyceric in case of power. One that stands out for
 greatness of achievement

PHONE: 807-474-6337 FAX: 807-623-5692 EMAIL: info@titanworldwide.com WEB: www.titanworldwide.com

701 MONTREAL STREET
 THUNDER BAY, ON
 P7E 3P-2
 CANADA
 TEL: 807-474-6337
 FAX: 807-623-5692
 www.titanworldwide.com

| | | | |
|----------------------------|---------------|-----------|-------------------------|
| PROJECT/CUSTOMER INFO: | | DSGND: | DATE: 2013-03-07 |
| | | CAPACITY: | 250 PSI |
| | | WEIGHT: | 70.971 lbmass |
| SHEET SIZE: A | SHEET: 1 OF 1 | FILENAME: | TRP6.00MP1LU14X6.00.idw |
| TITLE: TRP6.00MP1LU14X6.00 | | | |
| DRAWING No: | | | REVISION: |