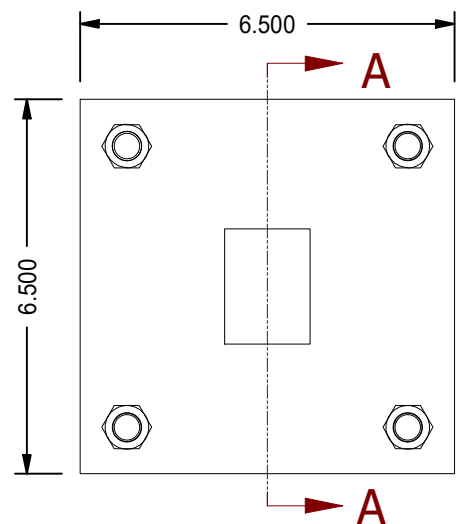
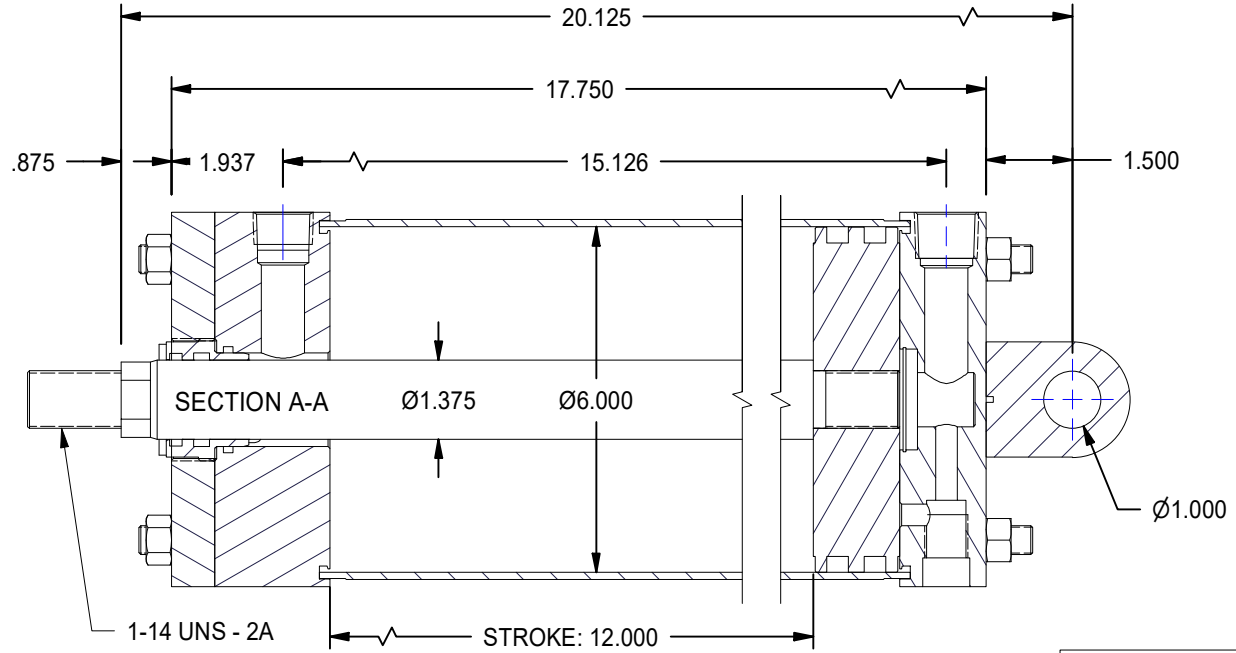
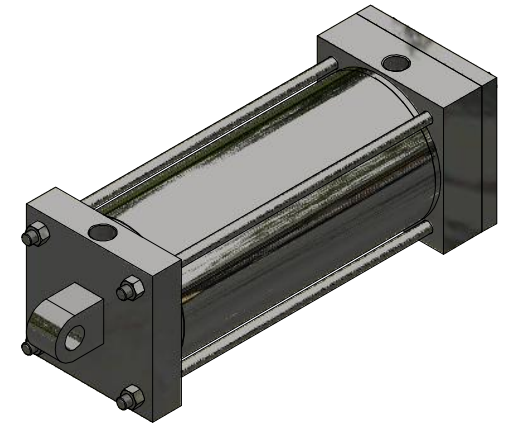
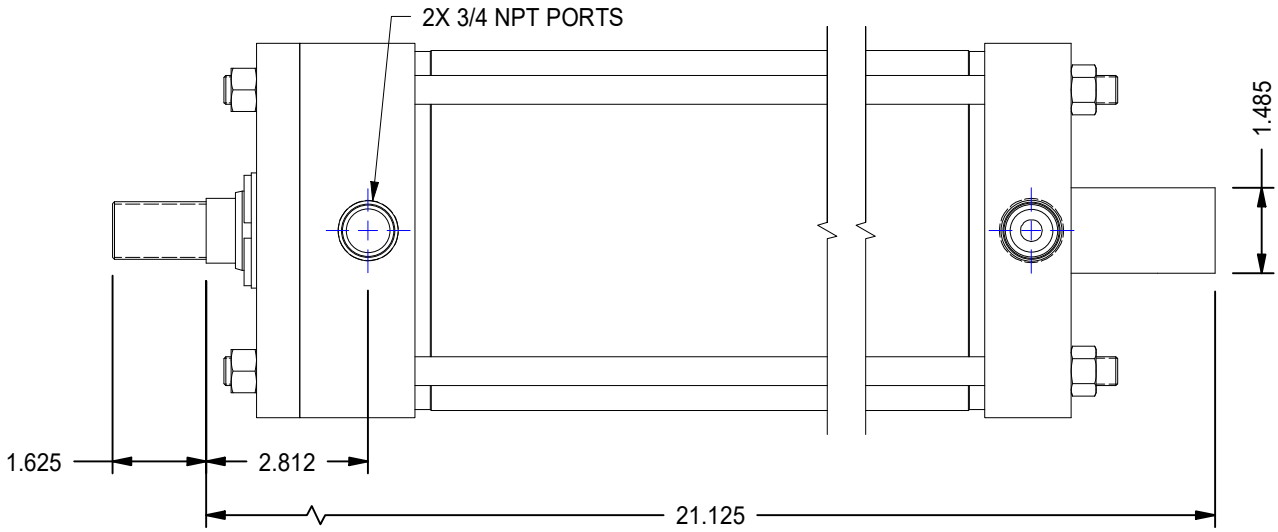


1

2

A

A




B

B

1

2

MODEL NUMBER:		PROJECT/CUSTOMER INFO:		DSGND:	DATE: 2013-03-07
 TITAN WORLDWIDE INC. <small>75 Year History</small> <small>Clear Fall or Impact, in case of power. One that stands out for greatness of achievement!</small> <small>PHONE: 807-474-5337 FAX: 807-623-5692 EMAIL: info@titanworldwide.com WEB: www.titanworldwide.com</small>		CAPACITY: 250 PSI		SHEET: A	
		WEIGHT: 77.786 lbmass		SHEET: 1 OF 1	
701 MONTREAL STREET THUNDER BAY, ON P7E 3P2 CANADA TEL: 807-474-5337 FAX: 807-623-5692 www.titanworldwide.com		FILENAME: TRP6.00MP3LU14X12.00.idw		TITLE: TRP6.00MP3LU14X12.00	
DRAWING No:				REVISION:	

DATE	INTL	DESCRIPTION	REV