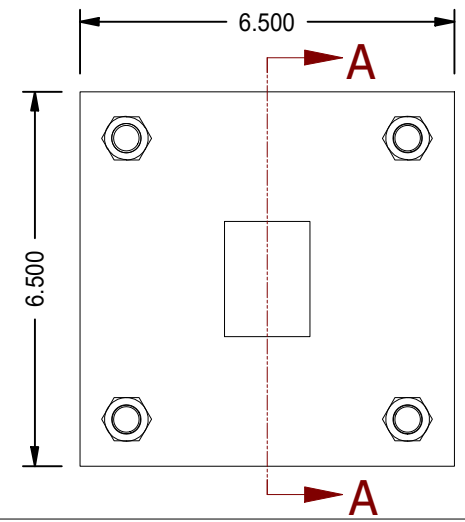
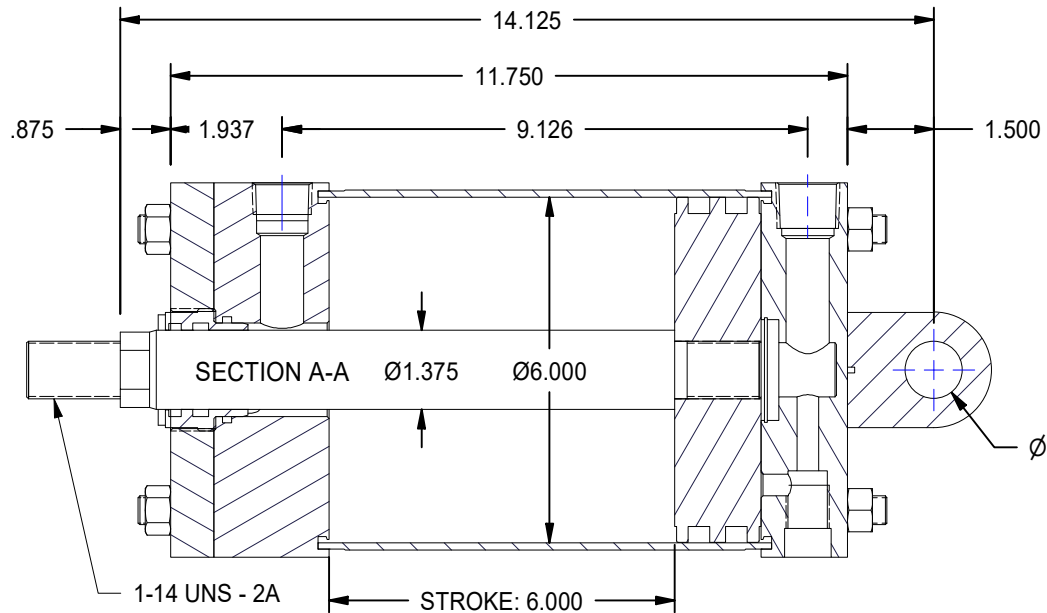
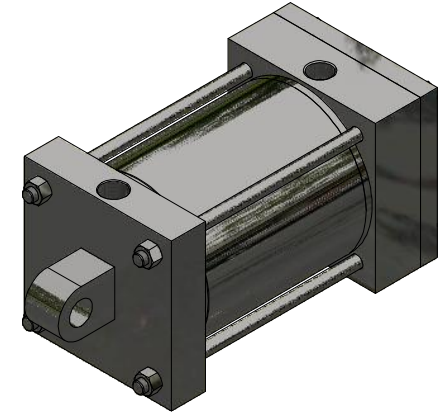
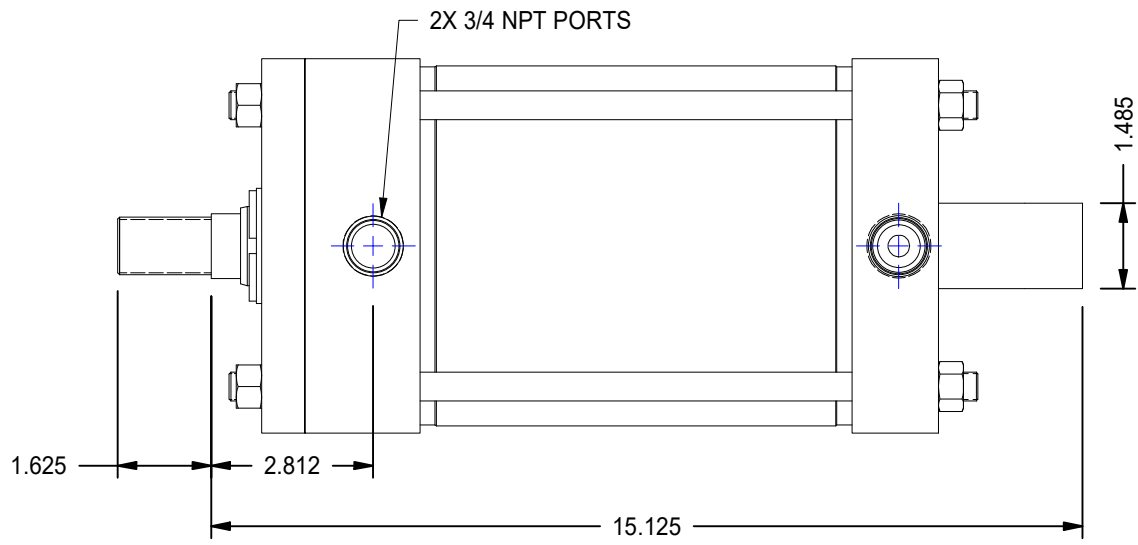


1

2


A

A



B

B

MODEL NUMBER:		PROJECT/CUSTOMER INFO:		DSGND:	DATE: 2013-03-07
 <b>TITAN WORLDWIDE INC.</b> <small>75 ton 5000 LBS. Clear Fall or Impact, in case of power. One that stands out for greatness of achievement!</small>		CAPACITY: 250 PSI		WEIGHT: 69.795 lbmass	
		SHEET: A SHEET: 1 OF 1 FILENAME: TRP6.00MP3LU14X6.00.idw		TITLE: TRP6.00MP3LU14X6.00	
701 MONTREAL STREET THUNDER BAY, ON P7E 3P-2 CANADA TEL: 807-474-5337 FAX: 807-623-5692 www.titanworldwide.com				DRAWING No:	
					REVISION:

1

2

DATE	INTL	DESCRIPTION	REV

