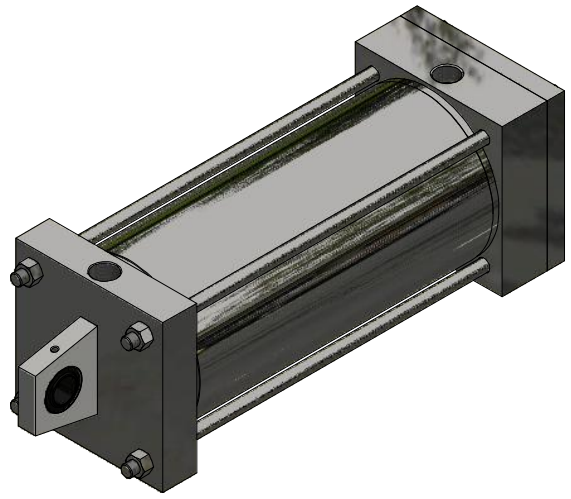
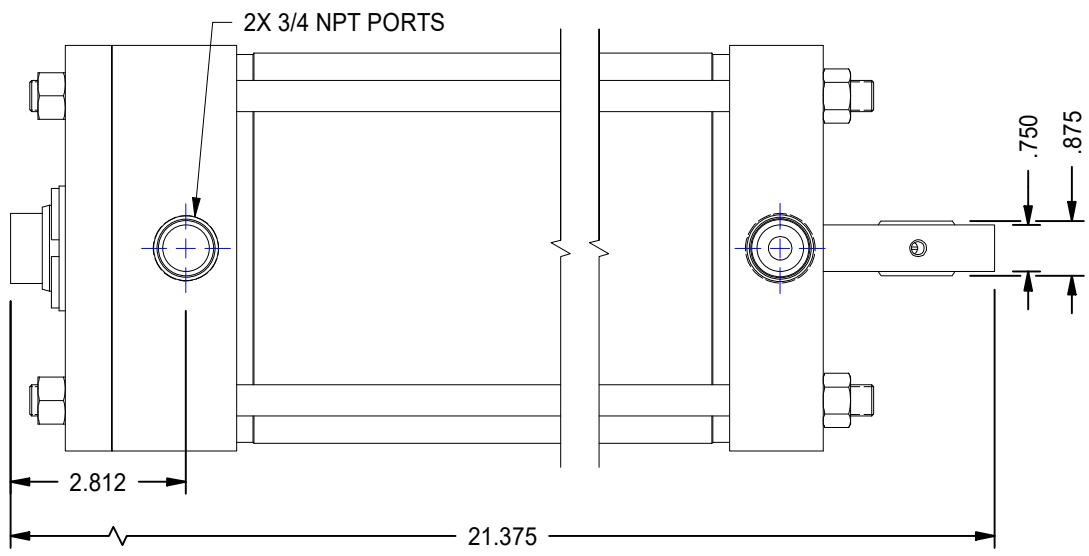


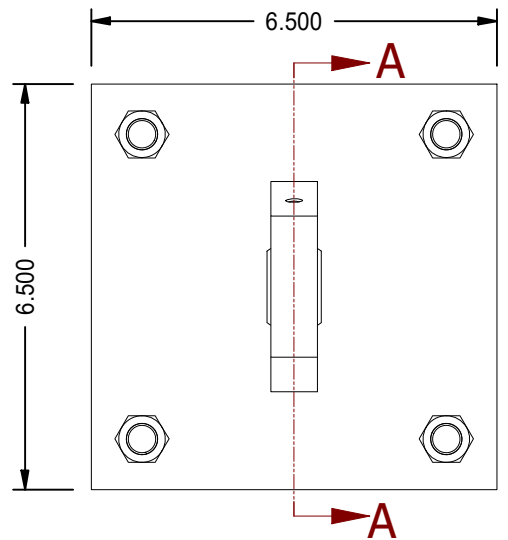
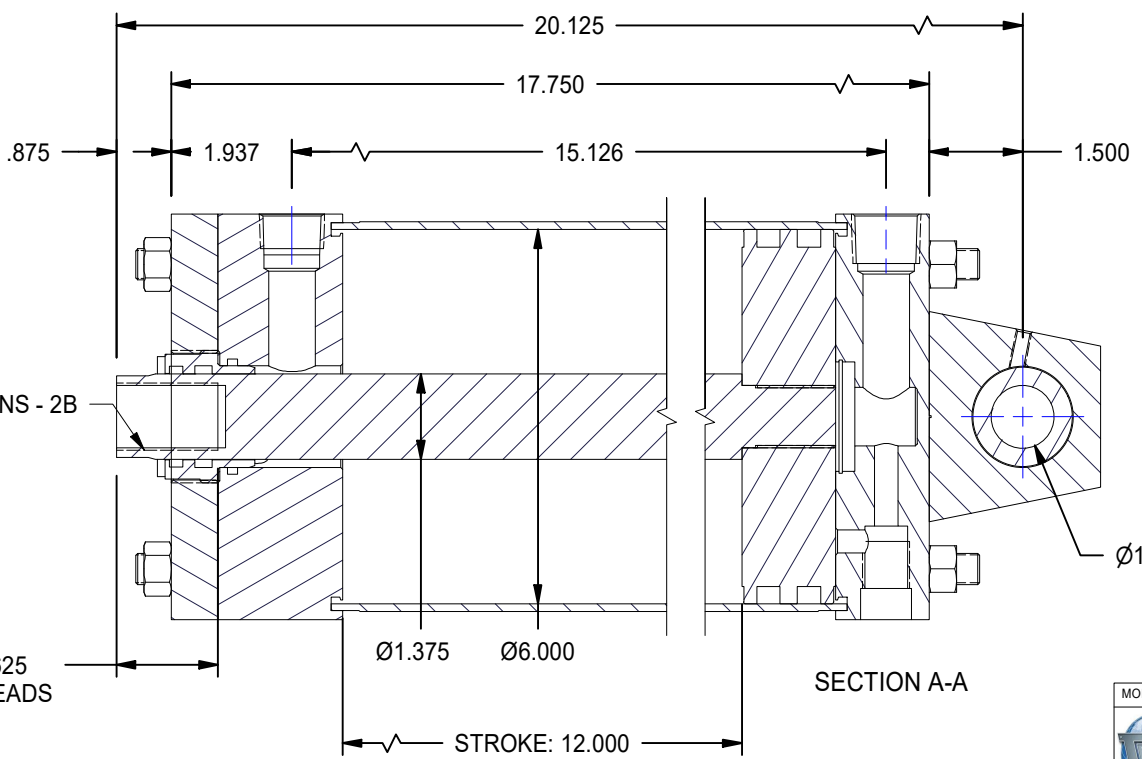
1

2



A

A



B

B

B

B

1-14 UNS - 2B

1.625
THREADS

Ø1.375 Ø6.000

SECTION A-A

STROKE: 12.000

MODEL NUMBER:

TITAN WORLDWIDE INC.
 701 MONTREAL STREET
 THUNDER BAY, ON
 P7E 3P2
 CANADA
 TEL: 807-474-5337
 FAX: 807-623-5692
 www.titanworldwide.com

PROJECT/CUSTOMER INFO:		DSGND:	DATE: 2013-03-07
		CAPACITY:	250 PSI
		WEIGHT:	76.682 lbmass
SHEET SIZE: A	SHEET: 1 OF 1	FILENAME:	TRP6.00MP5LU14X12.00.idw
TITLE: TRP6.00MP5LU14X12.00			
DRAWING No:			REVISION:

1

2

DATE	INTL	DESCRIPTION	REV