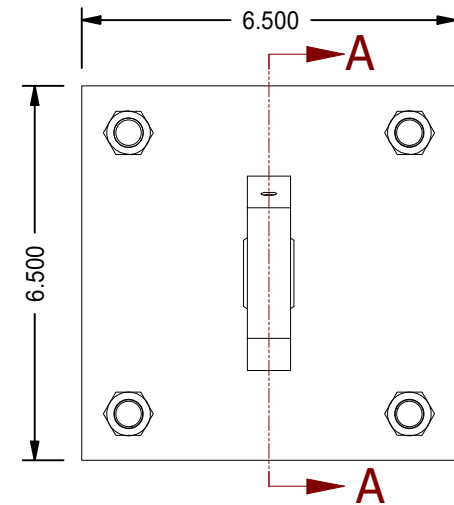
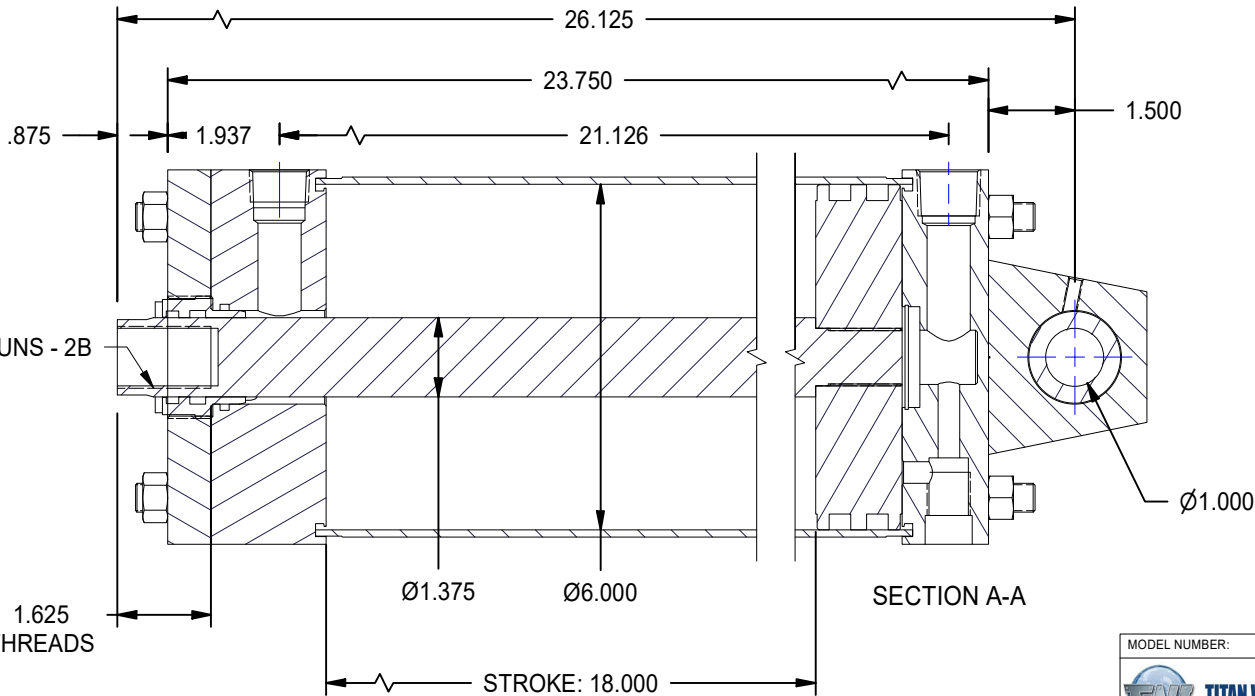
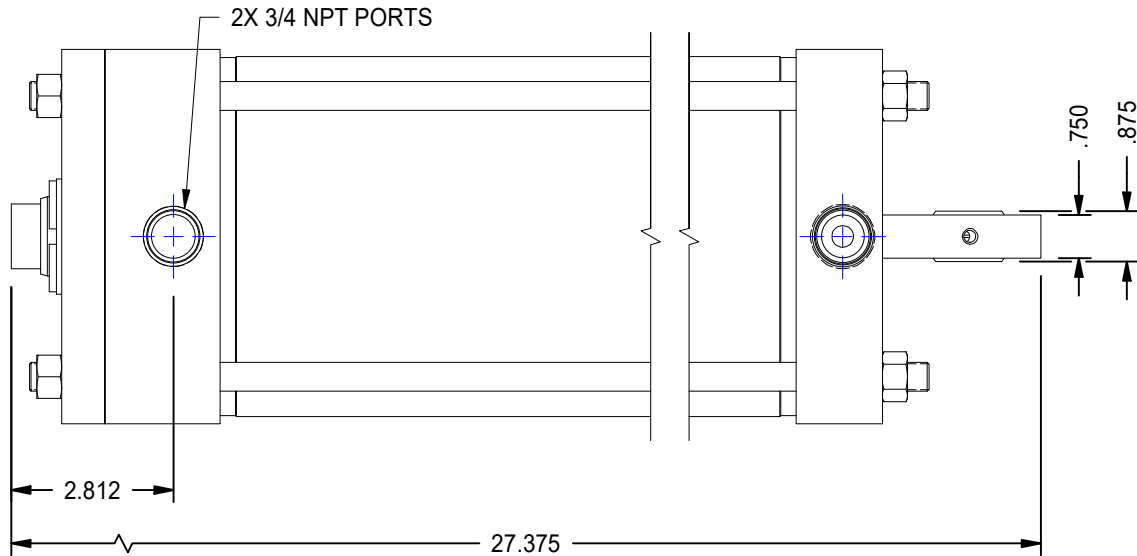



1

2



MODEL NUMBER:		PROJECT/CUSTOMER INFO:		DSGND:	DATE: 2013-03-07
 TITAN WORLDWIDE INC. <small>71 Sun 10th St. Clear Hill or Republic, in state of power. One that stands out for greatness of achievement</small>		CAPACITY		250 PSI	
		WEIGHT:		84.645 lbmass	
SHEET SIZE: A	SHEET: 1 OF 1	FILENAME:	TRP6.00MP5LU14X18.00.idw		
TITLE: TRP6.00MP5LU14X18.00					
DRAWING No:					REVISION:

DATE	INTL	DESCRIPTION	REV

1

2