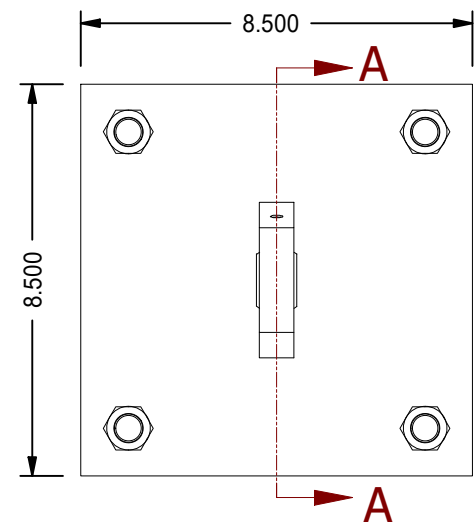
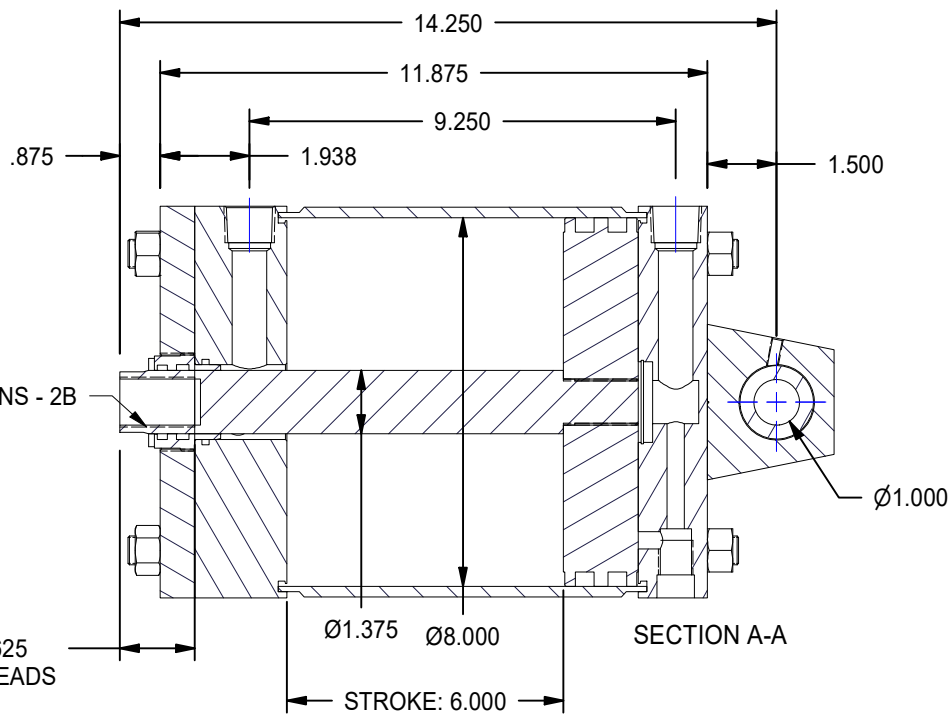
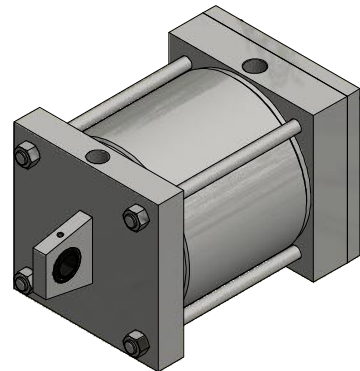
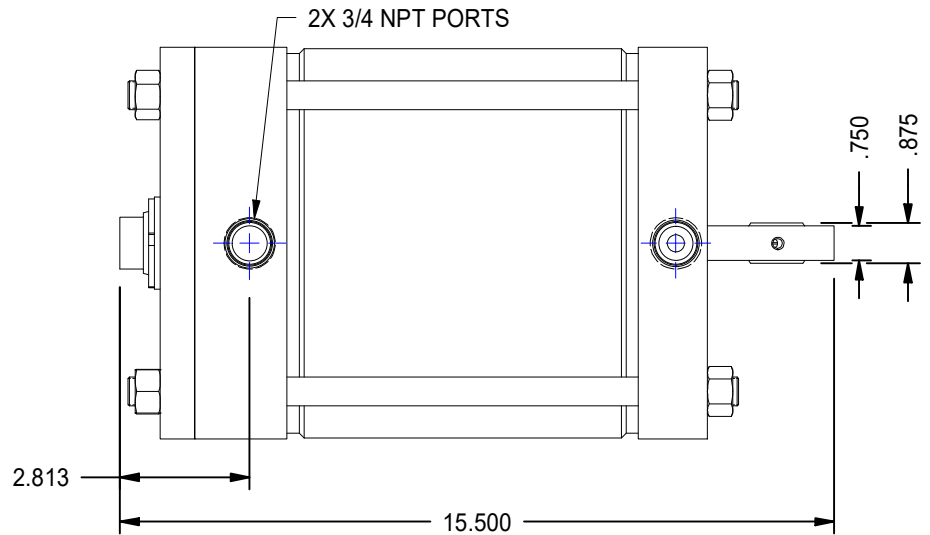


1

2



A

A


B

B

1

2

DATE	INTL	DESCRIPTION	REV

MODEL NUMBER:		PROJECT/CUSTOMER INFO:		DSGND:	DATE: 2013-03-07
 <b>TITAN WORLDWIDE INC.</b> <small>31 rue 55th St.</small> <small>Clear Fall in liquid, in case of power. One that stands out for greatness in achievement!</small>		CAPACITY: 250 PSI		WEIGHT: 122.174 lbmass	
		SHEET SIZE: A		SHEET: 1 OF 1	
701 MONTREAL STREET THUNDER BAY, ON P7E 3P-2 CANADA TEL: 807-474-5337 FAX: 807-623-5692 www.titanworldwide.com		TITLE: TRP8.00MP3LU14X6.00			
DRAWING No:					REVISION: