

1

2

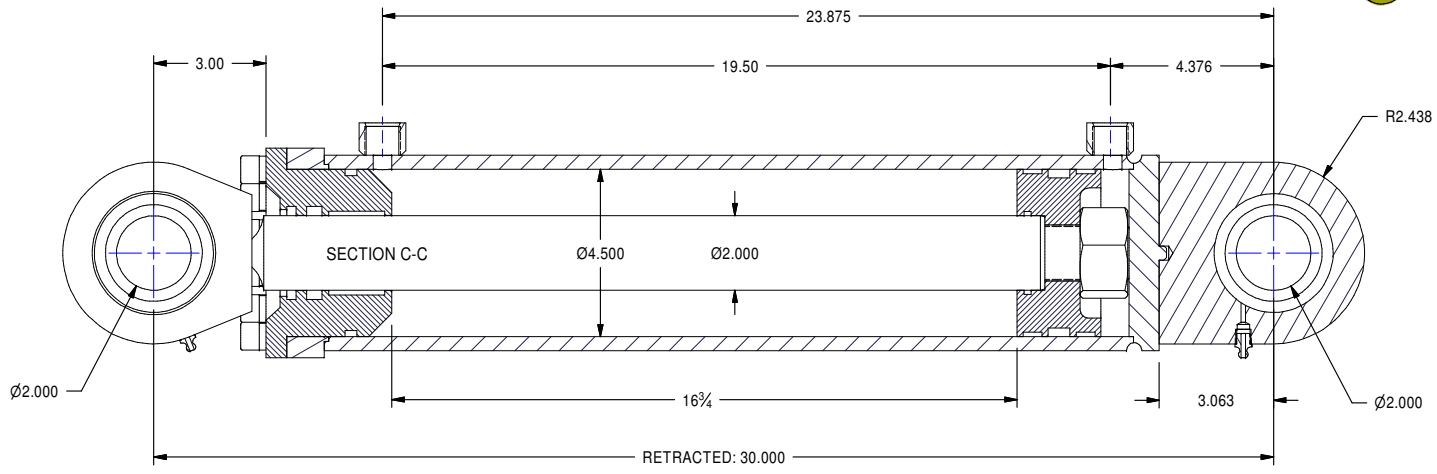
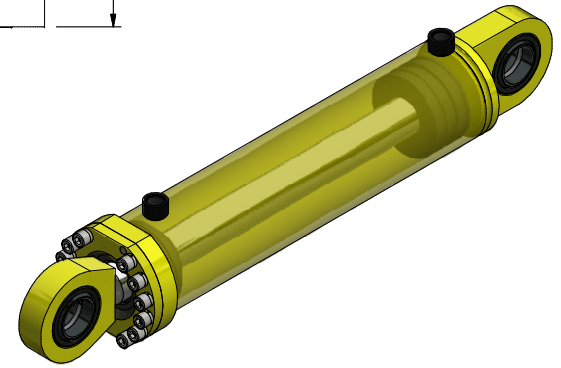
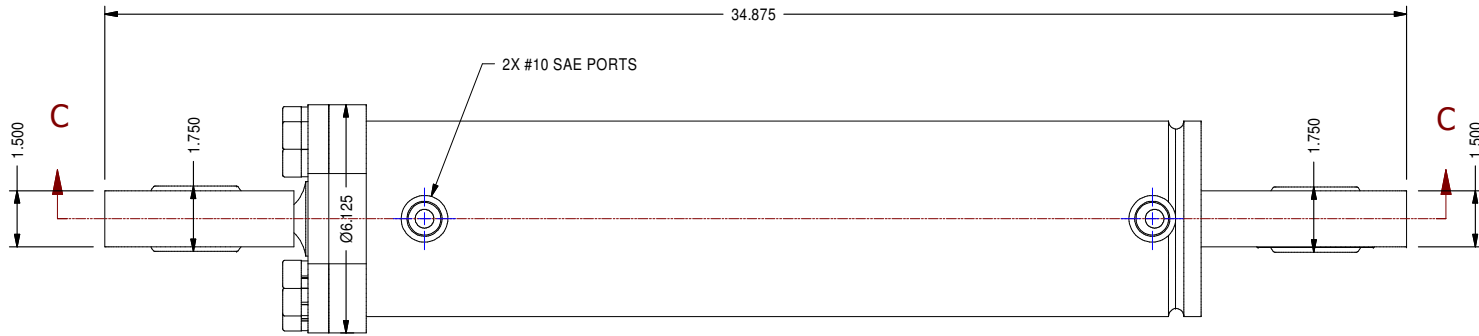
3

4

APPROVED BY:

NAME: _____

DATE: _____



TITAN WORLDWIDE INC. <small>INCORPORATED IN CANADA</small> 701 MONTREAL STREET THUNDER BAY, ON P7E 3P2 CANADA TEL: 807-474-5337 FAX: 807-623-9650 www.titanworldwide.com		PROJECT/CUSTOMER P/F/O: ORDER NO.: OWNER: ENGINEER: WEIGHT: N/A DATE: 7/10/2017 CAPACITY:
SHEET: B	SHEET: 1 OF 11	FILENAME: TBH_4252 MAIN.idw
TITLE: 4 1/2" DIA BORE HYDRAULIC CYLINDER FABRICATION DRAWING		
DRAWING No: TBH_4252		REVISION: A

DATE	INTL	DESCRIPTION	REV

1

2

3

4