

1

2

3

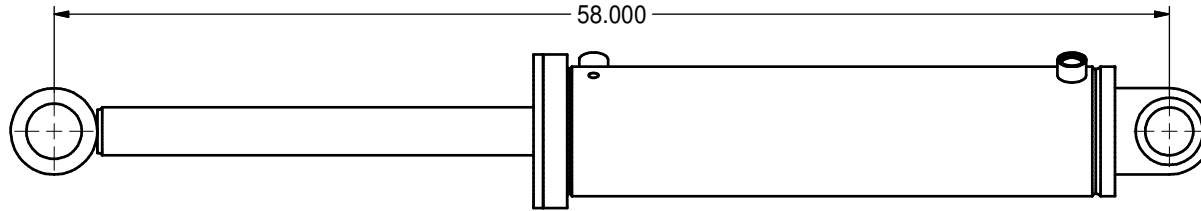
4

5

6

A

A



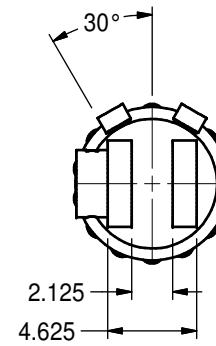
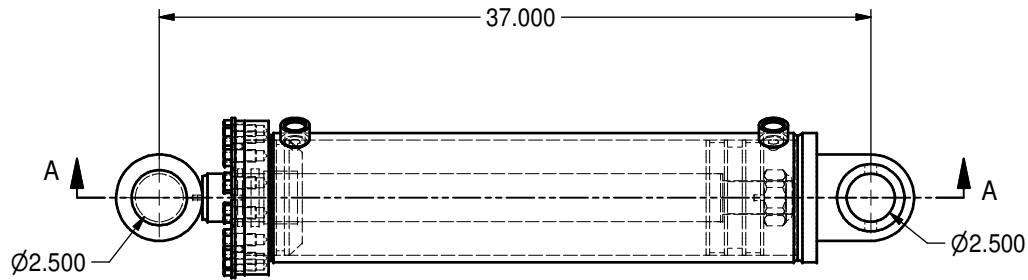
**APPROVED BY:**

NAME: \_\_\_\_\_

DATE: \_\_\_\_\_

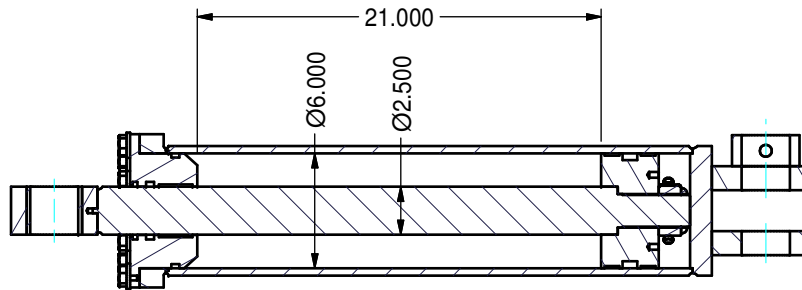
B

B

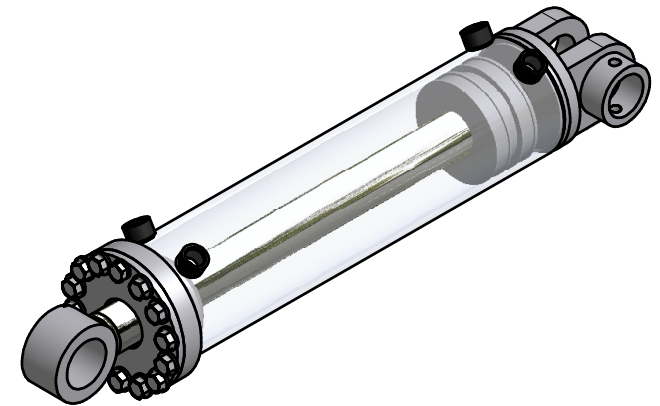


C

C



SECTION A-A  
SCALE 0.10 : 1



D

D

DATE	INITL	DESCRIPTION	REV



**THUNDER BAY  
HYDRAULICS**  
701 MONTREAL STREET  
THUNDER BAY, ON P7E 3P2

PROJECT/CUSTOMER INFO: GOLDCORP - CAMPBELL MINE		DSGND: <b>J.F</b>	DATE: 16/03/2007
SHEET SIZE: A		CHKD:	DATE:
SHEET: 1 OF 10		SCALE: SCALED TO FIT	
TITLE: <b>HOIST CYLINDER HOIST CYLINDER</b>		FILENAME: TBH_4336 ASSEMBLY.ipt	
DRAWING No: <b>TBH_4336</b>			REVISION: <b>A</b>

1

2

3

4

5

6