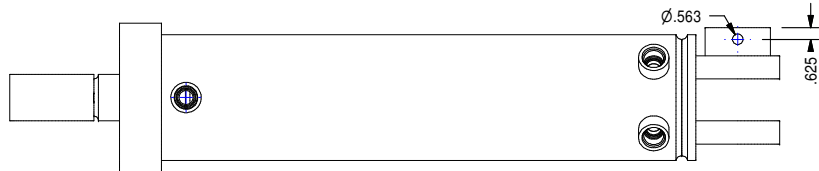


1

2

3

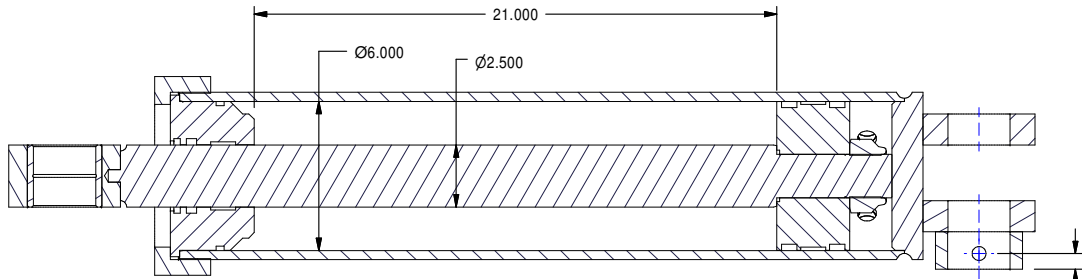
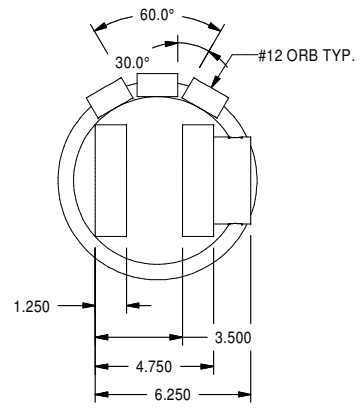
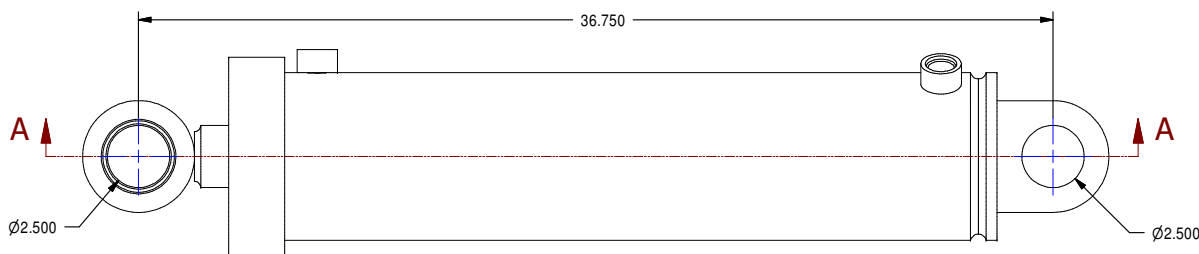
4



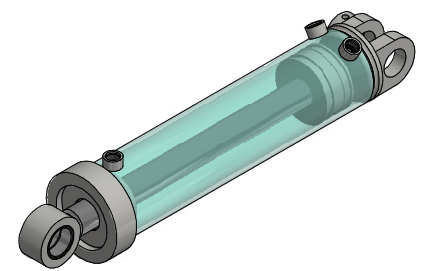
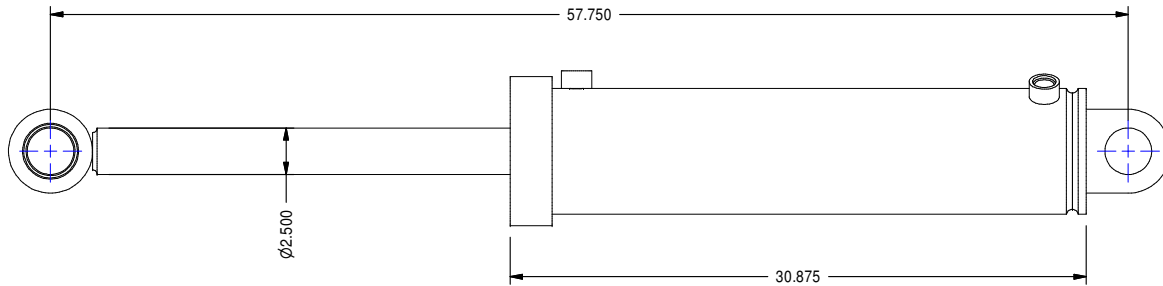
APPROVED BY:

NAME: _____

DATE: _____



SECTION A-A
SCALE 0.2 : 1



<p>TITAN WORLDWIDE INC. HYDRAULICS</p> <p>170 SANDHURST COURT THUNDER BAY, ONT. P7B 3P2 TEL: (807) 853-5500 FAX: (807) 853-5502</p>	PROJECT/CUSTOMER INFO:		LOGGING: JF	DATE: 7/7/2021	
	SHEET: B		CHKD:	DATE:	
	SHEET: 2 OF 2		FILENAME: TBH_4379 ASSEMBLY.dwg	WEIGHT: 180.45 lbmass	
	TITLE: HOIST CYLINDER		DRAWING No: TBH_4379		
REVISION: A					

DATE	INIT	DESCRIPTION	REV

1

2

3

4