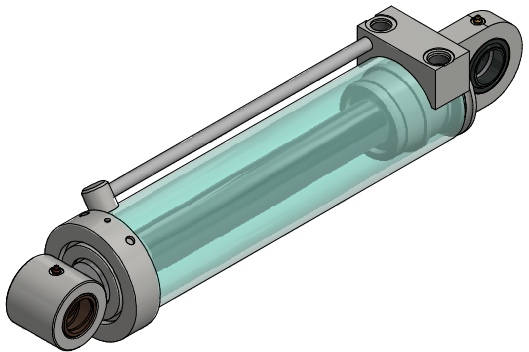



**APPROVED BY:**

NAME: \_\_\_\_\_

DATE: \_\_\_\_\_



 <b>TITAN WORLDWIDE INC.</b> <small>THUNDER BAY HYDRAULICS</small>		PROJECT/CUSTOMER INFO:		DSGND: <b>J.F</b>	DATE: 7/7/2021
		CHKD:		DATE:	
SHEET: <b>A</b>		SHEET: <b>2 OF 2</b>		SCALE: <b>SCALED TO FIT</b>	
TITLE: <b>109579-D</b>		FILENAME: TBH_4407 ASSEMBLY.jam		REVISION: <b>A</b>	
DRAWING No: <b>TBH_4407</b>					

DATE	INITL	DESCRIPTION	REV